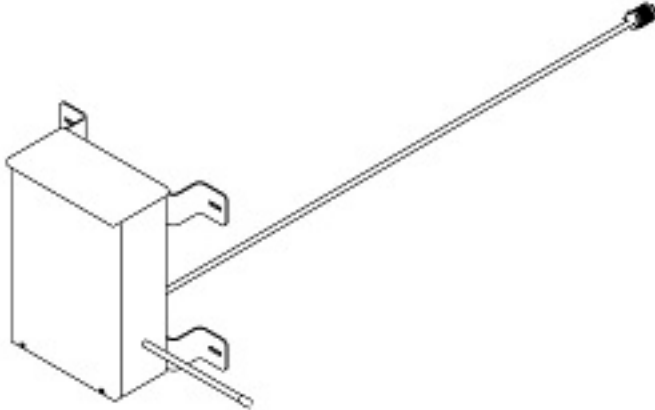


1 kVA Outdoor Rated Transformer - Input 120/240 volts on 50/60Hz - 24 Volt Output - Amp Y Splitter

Part #: TX-1000-WM-BS1363-2XAMP

**Made in the USA**

The Larson Electronics DSG-TX-1000-WM-BS1363-2XAMP Wall Mount 1kva power transformer converts 110-120/220-240 VAC at 50/60hz to 12 or 24 VDC and is ideal for powering 12 or 24 volt based lights and equipment.

This 1kva, coil based power transformer accepts 120-240 VAC electrical current and provides 12 volts at 83 amps or 24 volts at 41 amps via a 10' SOOW cord depending upon the chosen configuration. The transformer in this unit is encased within a weatherproof NEMA 3R rated enclosure and produces minimal interference with the wireless radio receivers often found in remote controlled lighting equipment such as Golight wireless remote controlled spotlights.

The primary input on this unit accepts either 120 or 240 VAC at 50/60 Hz depending upon configuration, and is connected through a 10' SOOW cord terminated in an English BS1363 cord cap. Output is provided by 10' 10/3 SOOW cable to a waterproof junction box. The junction box has two 3' whips terminated in amphenol connectors, providing 41.5 amps at 12V DC or 20.5 amps at 24V DC. This unit is preconfigured for specific current input and output before shipping. Please select your desired current voltages from the drop down boxes below when ordering.

Some power transformers produce significant radio frequency interference which can cause erratic operation of radio controlled devices. This NEMA 3R encapsulated transformer is ideal for use with wireless remote controlled Golight models GL-3049H, RCL360HID and any other equipment that relies on radio receivers for remote operation when mounted 2 feet or more from such equipment. This heavy duty unit measures 18.125" tall by 12" wide by 9.373" deep, is surface mountable, and provides a reliable and low interference low voltage power solution for equipment requiring 12 or 24 VDC.

We can build transformers to your specifications. If this model does not meet your needs, please contact us at 1-800-369-6671 or sales@larsonelectronics.com.

Specifications / Additional Information

DSG-TX-1000-WM-BS1363-2XAMP Power Transformer

Line In: 120/240VAC @ 50/60Hz

Line Out: 12VDC or 24VDC

KVA: 1

Rating: NEMA 3R Enclosure

Dimensions: 18.125"-H x 12"-W x 9.373"-D

Mounting: Surface Mount Flange Brackets

Line In Wiring: 10' 16/3 SOOW Cable

Line In Termination: BS1363 Cord Cap

Line Out Wiring: 10' 10/3 SOOW Cable to Jbox - (2) 3' Whips from Jbox

Line Out Termination: (2) male amphenol connectors

Special Orders- Requirements

Contact us for special requirements

Toll Free: 1-800-369-6671

Intl: 1-903-498-3363

E-mail: sales@larsonelectronics.com

[Scroll Down to Purchase](#)

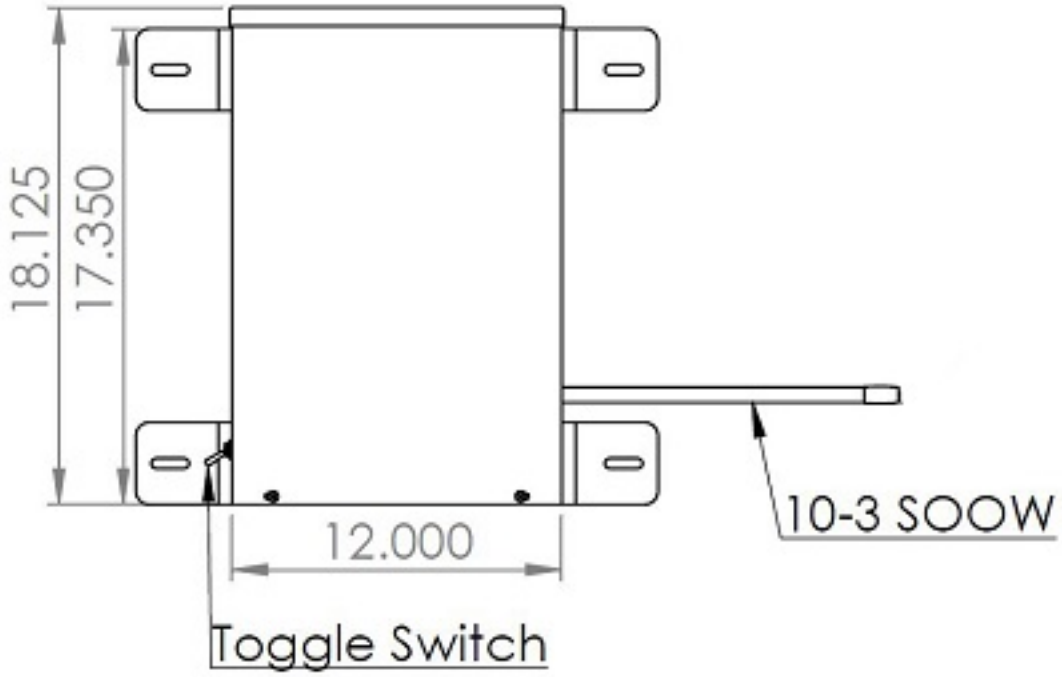
[Part #: TX-1000-WM-BS1363-2XAMP \(71646\)](#)

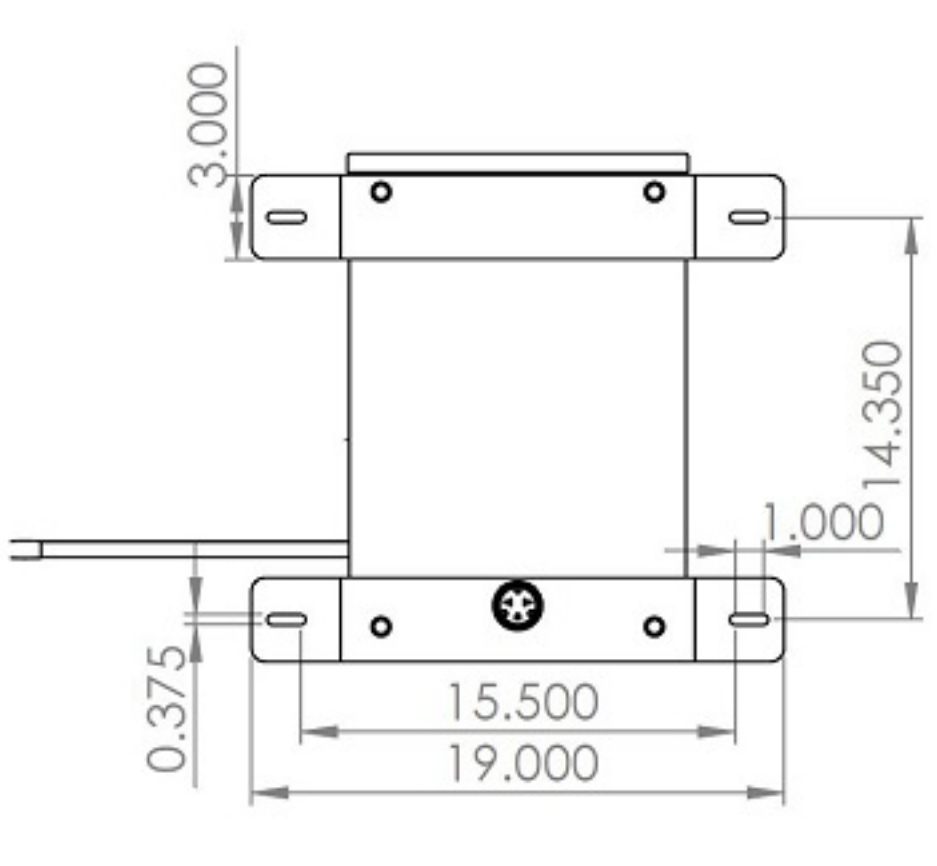
Options:

TX-1000-WM-BS1363-2XAMP- INPUT VOLTAGE - OUTPUT VOLTAGE

Example: TX-1000-WM-BS1363-2XAMP-120V-12VDC

| INPUT VOLTAGE | | OUTPUT VOLTAGE | |
|---------------|-------|----------------|--------|
| 120V | -120V | 12VDC | -12VDC |
| 240V | -240V | 24VDC | -24VDC |





Links (Click on the below items to view):

- [Dimensional Drawing](#)
- [STEP](#)