

Explosion Proof Switch Cord Whip - On/Off Switch - 6' Whip - EXP Plug - Class 1 Div 1 and Class 2 Di

Part #: EPL-SW1-6-1523



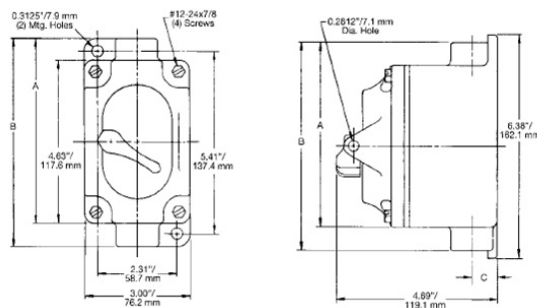
The Larson Electronics EPL-SW1-6-1523 Explosion Proof Feed Through Tumbler Switch Cord Whip is UL approved Class 1 Division 1 & 2 and Class 2 Division 1 & 2 and provides a safe and secure method for operators to interrupt power before connecting and disconnecting portable or stationary electrical devices and equipment in hazardous locations.

This explosion proof tumbler switch is ideal for operators seeking a high quality explosion proof switch rated for use in hazardous areas designated Class 1 Division 1 and Class 2 Division 1. This explosion proof switch is rated at 20 amps-120-277 Vac and 1 HP at 120 Vac and 2 HP at 240 Vac. The entire unit is constructed of malleable iron and contains an internal sealing chamber constructed of copper free aluminum. This unit is easily wall mounted via integral mounting tabs at two corners of the housing and provides two 1/2" hub openings located on the top and the bottom of the housing for running electrical conductors in a feed through configuration. A bushing seal at each conductor opening prevents damage to wiring insulation and a triple coat housing finish provides rugged protection against corrosion.

This unit is rated to handle electrical loads of 120-277 VAC up to 20 amps and is suitable for use in environments where combustible dusts and particulates may be present.



[Click Photo to Enlarge](#)



[Click Photo to Enlarge](#)

The EPS-25A explosion proof switch cover and housing box is constructed of malleable iron with all arcing devices contained within an explosion proof labyrinth switch for the highest protection possible. This design does not require external sealing fittings. The entire unit is triple coated with zinc electroplate, chromate, and a final epoxy powder coat for maximum durability and corrosion resistance. Each 1/2" hub opening is fitted with an integral bushing to prevent fraying or damage to insulation. Two external mounting lugs provide simple and secure mounting of the unit to walls and flat surfaces. The unit box, switch, and face plate are all included with the product.

1/2" NPT tapped conduit openings are provided on the top and bottom of the unit in feed through versions while dead end versions have a single conduit hub, providing easy and secure connection to main power line supplies.

This unit features a 6' SOOW cord with strain relief and is terminated in an explosion proof 15 amp plug. The switch is designed to be hard piped, with power being supplied via the explosion proof plug.

Suggested Applications: Manufacturing, Industrial, Warehouse, Lighting, Wet areas or Locations Where Combustible Dust is Present.

Specifications / Additional Information

EPL-SW1-6-1523 Explosion Proof Tumbler Switch Whip

Switch Voltage Rating: 120-277 VAC

Switch Current Rating: 20 Amps- 1 HP @120 Vac & 2 HP @ 240 Vac

Grounding: Single Internal Housing Ground Screw

Configuration: Feed Through, Front Switch

Hubs: (2) 1/2" Feed Through

Unit Materials: Box/Receptacle- Malleable Iron, Sealing Chamber- Aluminum

Finish: Triple-coat—Zinc Electroplate, Chromate, Epoxy powder coat

Insulation: Integral Bushings in Conductor Openings

Mounting: External Mounting Lugs on Body

Unit Dimensions: 3.00"-W X 4.69"-D X 6.13 "-L

Switch Type: Single Pole

Certifications - Compliance

Class 1 Division 1 & 2 Groups B, C, D

Class 2 Division 1 & 2 Groups E, F, G

Class 3

NEMA7- C&D, 9- E, F, G

Special Orders- Requirements

Contact us for special requirements

Toll Free: 1-800-369-6671

Fax: 1-903-498-3364

E-mail: sales@larsonelectronics.com

[Scroll Down to Purchase-](#)

[This product does not qualify for free shipping.](#)

[Part #: EPL-SW1-6-1523 \(71184\)](#)







Links (Click on the below items to view):

- [Manual](#)
- [Hi-Res Image 1 - Bottom View of the Explosion Proof Switch](#)
- [Hi-Res Image 2 - Side View of the Explosion proof Switch](#)
- [Hi-Res Image 3 - Front View Close up of the Explosion Proof Switch and Handle](#)
- [Hi-Res Image 4 - Front View of the Whole Fixture](#)