

Explosion Proof Switch Cord Whip - On/Off Switch Instruction Manual

Do not attempt operation until you are familiar with all warnings, precautions, and procedures outlined within this instruction sheet. Read carefully before operating. Retain these instructions for future reference.

WARNING:

USER SHOULD BE TRAINED IN THE PROPER USE AND MAINTENANCE OF THIS DEVICE. WHEN EXTENSION CORD IS CONNECTED TO A POWER SOURCE IN HAZARDOUS AREA, PLUG AND MATCHING SWITCH MUST BE SUITABLE FOR HAZARDOUS LOCATION INVOLVED.

IMPROPER USE OF THIS DEVICE, ASSOCIATED PLUG, SWITCH, AND CORD CAN LEAD TO SERIOUS INJURIES OR DEATH TO PERSONNEL.

PERIODIC INSPECTION OF THE SWITCH AND CORD IS NECESSARY.

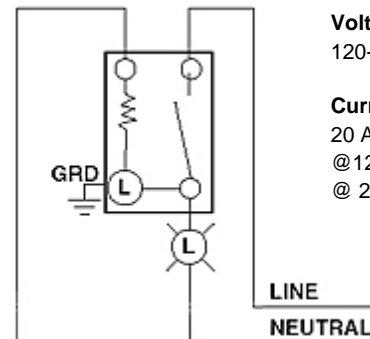
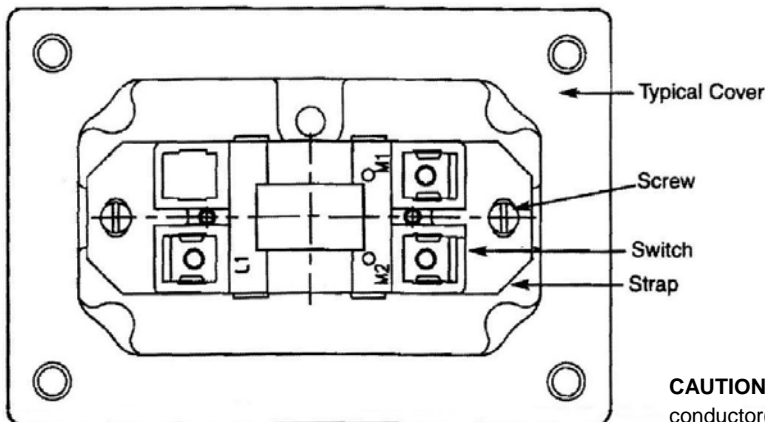
THE CORD MUST BE ROUTINELY CHECKED FOR CUTS, BREAKS, OR ANY SEVERE ABRASIONS, AND IF ANY ARE FOUND, THE CORD MUST BE REPLACED BEFORE RESUMING USE OF THE UNIT.

ELECTRICAL POWER SUPPLY MUST BE "OFF" BEFORE AND DURING INSTALLATION AND MAINTENANCE. INSTALLATION AND MAINTENANCE PROCEDURE MUST BE PERFORMED BY A TRAINED AND COMPETENT ELECTRICIAN.

IF ANY PARTS OF THE SWITCH OR PLUG APPEAR TO BE MISSING, BROKEN, OR SHOW SIGNS OR DAMAGE, DISCONTINUE USE IMMEDIATELY. REPLACE WITH THE PROPER REPLACEMENT PART(S) BEFORE CONTINUING SERVICE.

OPERATION

1. Attach equipment to switch.
2. The surfaces of the flat ground joint are precision machined to insure an explosion proof joint and must be protected from scratches or damage during installation.
3. When switch is mounted in the enclosure, it must be mounted to agree with cover indication of operation. That is, when the cover indicates ON, the switch must be in the ON condition.
4. Before the cover is installed, the flat ground joint surface must be thoroughly wiped clean of any dirt, grit, or other foreign substances and a light thin coating of lubricant placed on the joint to prevent possible corrosion.
5. The joint between the box and the cover has been made accurately to .0015" ..
6. ALL cover screws must be installed with at least five full threads engaged and must be securely tightened. All cover openings must be closed with a suitable cover.
7. Gaskets must not be added to these devices. Only gaskets designed for and permanently installed in these devices may be used.
8. In accordance with the hazardous location information specifying Class and Group listing marked on the device, sealing fittings must be added that will comply with requirements in the latest issue of the Canadian Electrical Code or National Electrical Code and any special requirements that are stated in the instruction sheet with the enclosure.
9. Once switch is connected to your device, run cable to compatible switch.
10. Attach power to **voltage specified**.



Voltage Rating:
120-277 VAC

Current Rating:
20 Amps- 1 HP
@ 120 Vac & 2 HP
@ 240 Vac

CAUTION: Use 12 AWG copper conductors only. Insert the bare wire conductor(s) under the terminal clamp and securely tighten the screw(s).
Note: Do not exceed 35 in-lbs. of torque.

SWITCH OPERATION

With equipment attached and plugged into power source;
Move switch "ON" to power connected device.
Move switch "OFF" to de-energize connected device.

MAINTENANCE:

Electrical and mechanical inspection of all components must be performed on a regularly scheduled basic, determined by the environment and frequency of use. It is recommended that inspection be performed a minimum of once a year.

WARNING: ELECTRICAL POWER SUPPLY MUST BE "OFF" BEFORE AND DURING INSTALLATION AND MAINTENANCE. INSTALLATION AND MAINTENANCE PROCEDURE MUST BE PERFORMED BY A TRAINED AND COMPETENT ELECTRICIAN.

WARNING: IF ANY PARTS OF THE SWITCH OR PLUG APPEAR TO BE MISSING, BROKEN, OR SHOW SIGNS OR DAMAGE, DISCONTINUE USE IMMEDIATELY. REPLACE WITH THE PROPER REPLACEMENT PART(S) BEFORE CONTINUING SERVICE.

1. Inspect all contact wire terminals for tightness. Discoloration due to excessive heat is an indicator of a possible problem and should be thoroughly investigated and repaired as necessary.
2. Inspect contacts for signs of wear and replace if necessary.
3. Clean exterior surfaces making sure nameplates remain legible.
4. Check tightness of all screws before using.

If any part of the plug appears to be missing, broken, or show signs of damage—discontinue use immediately! This condition could cause serious or fatal personal injury due to electrocution and/or equipment damage. Repair with the proper replacement part(s) before continuing service.

During the inspections, perform the following steps:

1. Inspect all contact wire terminals for tightness and re-torque if necessary. NOTE: Discoloration due to excessive heat is an indicator of potential issues and should be thoroughly investigated and repaired as necessary.
2. Explosion Proof Plugs: Check grounding and bonding for correct installation. Secure connections and retorque if necessary.
3. Check gaskets for deterioration and replace if necessary.
4. Clean exterior surfaces to ensure the nameplates remain legible.
5. Inspect cable grip tightness to ensure proper cord/cable gripping.
6. Torque all screws as described in the "Installation" section before reusing the device.
7. Inspect all parts and replace those which are broken or excessively worn.
8. Check the contacts for signs of excessive arcing or burning and replace if necessary.

USE AND CARE

Unauthorized modification may impair the function and/or safety of the extension cord and could affect the life of the equipment. Always check damaged or worn out parts before using the unit. When extension cord is not in use, store it in a secure place. Inspect for good working condition prior to storage and before re-use.

Should further information not covered by these instructions be required, please contact Larson Electronics at 1-800-369-6671 or sales@larsonelectronics.com for further assistance.

Please visit LarsonElectronics.com for **Warranty** and **Return** information.