

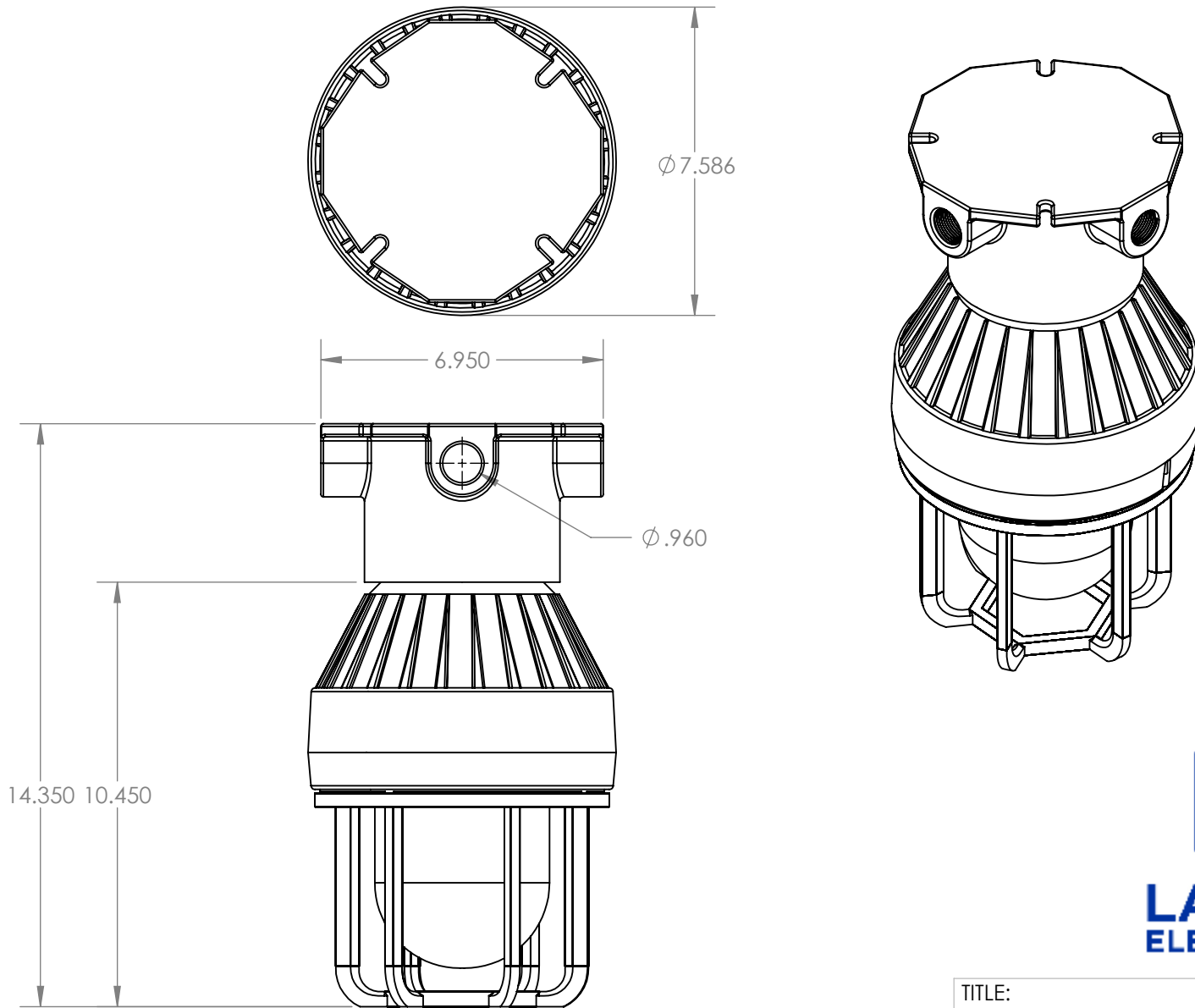
| | | | | |
|--------------------------|----------|--|--------------|--|
| TITLE: | | | | |
| EPSLED-80-141-PND | | | | |
| SIZE | DWG. NO. | | REV | |
| A | | | | |
| SCALE: NTS | | | SHEET 1 OF 3 | |

| | | | |
|--------------------------|--|---------|--------------------|
| FINISH | | NAME | |
| SURFACE AREA [sq. in] | | DRAWN | CHRISTOPHER THAUER |
| DIMENSIONS ARE IN INCHES | | CHECKED | N/A |
| MATERIAL | | DATE | 10/5/2017 |
| DO NOT SCALE DRAWING | | | |

PROPRIETARY AND CONFIDENTIAL
 THE INFORMATION CONTAINED IN THIS DRAWING IS THE SOLE PROPERTY OF LARSON ELECTRONICS LLC. ANY REPRODUCTION IN PART OR AS A WHOLE WITHOUT THE WRITTEN PERMISSION OF LARSON ELECTRONICS LLC IS PROHIBITED.

UNLESS OTHERWISE NOTED:

Angle +/- .5 deg
 .X +/- .02
 .XX +/- .01
 .XXX +/- .005

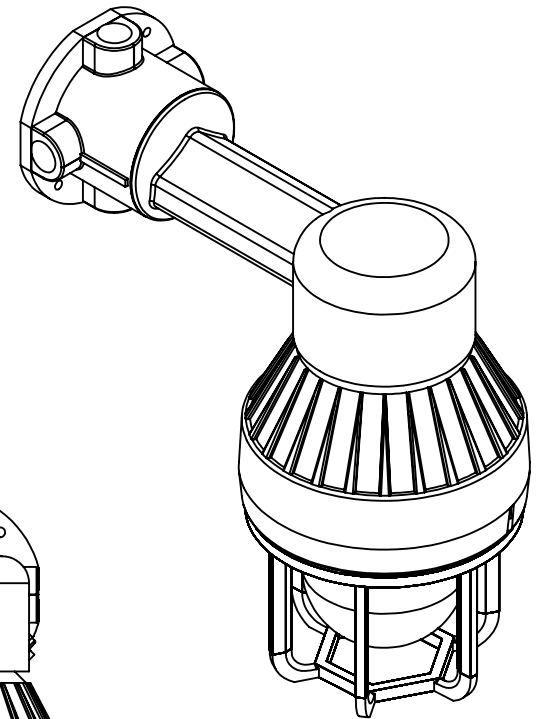
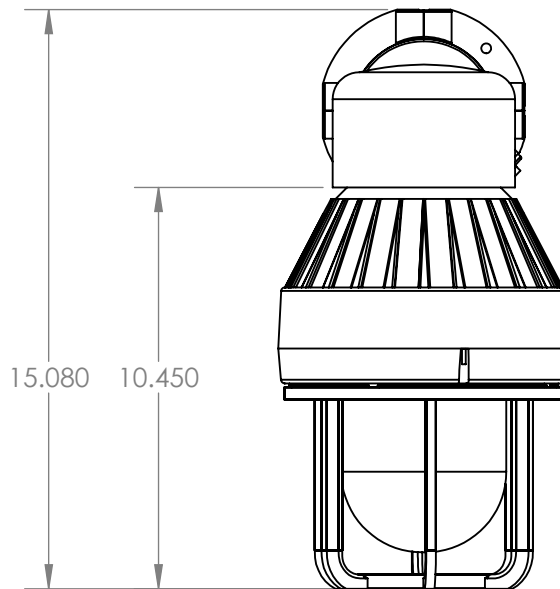
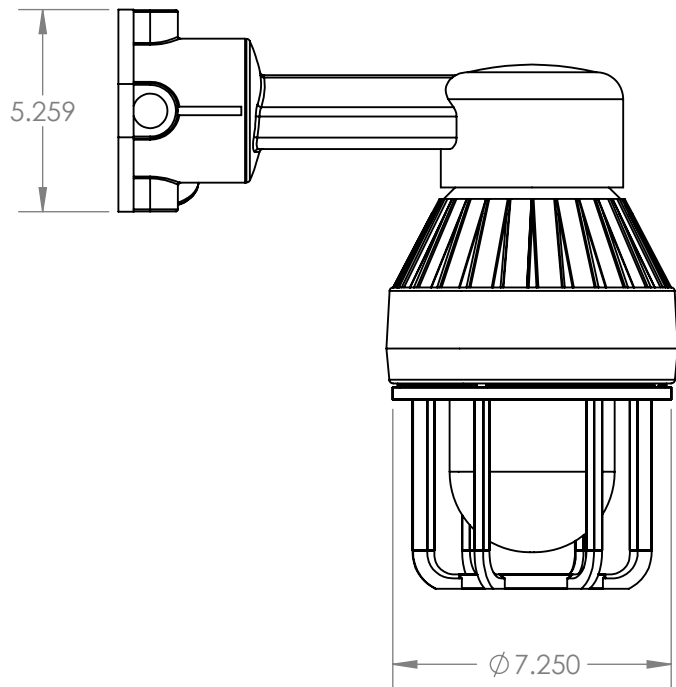
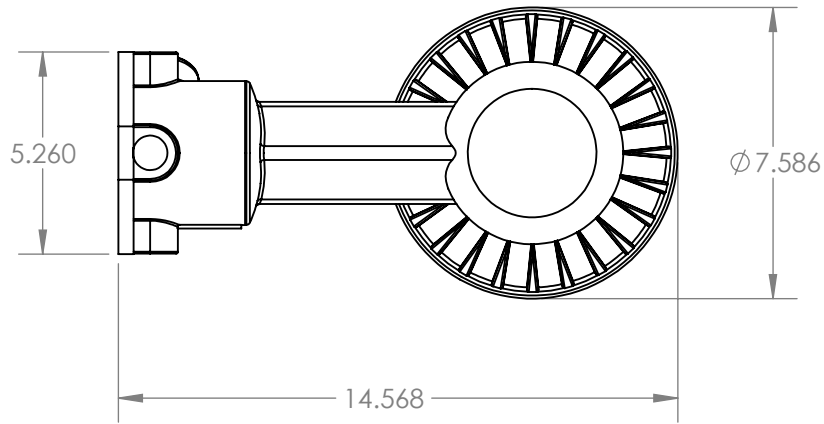


| | | |
|--------------------------|----------|--------------|
| TITLE: | | |
| EPSLED-80-141-CLG | | |
| SIZE | DWG. NO. | REV |
| A | | |
| SCALE: NTS | | SHEET 2 OF 3 |

| | | |
|--------------------------|---------|--------------------|
| FINISH | | NAME |
| SURFACE AREA [sq. in.] | | CHRISTOPHER THAUER |
| DIMENSIONS ARE IN INCHES | DRAWN | |
| MATERIAL | CHECKED | N/A |
| DO NOT SCALE DRAWING | DATE | 10/5/2017 |

UNLESS OTHERWISE NOTED:
 Angle +/- .5 deg
 .X +/- .02
 .XX +/- .01
 .XXX +/- .005

PROPRIETARY AND CONFIDENTIAL
 THE INFORMATION CONTAINED IN THIS DRAWING IS THE SOLE PROPERTY OF LARSON ELECTRONICS LLC. ANY REPRODUCTION IN PART OR AS A WHOLE WITHOUT THE WRITTEN PERMISSION OF LARSON ELECTRONICS LLC IS PROHIBITED.



| | | |
|---------------------------|----------|--------------|
| TITLE: | | |
| EPSLED-80-141-WALL | | |
| SIZE | DWG. NO. | REV |
| A | | |
| SCALE: NTS | | SHEET 3 OF 3 |

| | | |
|--------------------------|--|--------------------|
| FINISH | | NAME |
| SURFACE AREA [sq. in] | | CHRISTOPHER THAUER |
| DIMENSIONS ARE IN INCHES | | DRAWN |
| MATERIAL | | CHECKED |
| DO NOT SCALE DRAWING | | N/A |
| DATE | | 10/5/2017 |

PROPRIETARY AND CONFIDENTIAL
 THE INFORMATION CONTAINED IN THIS DRAWING IS THE SOLE PROPERTY OF LARSON ELECTRONICS LLC. ANY REPRODUCTION IN PART OR AS A WHOLE WITHOUT THE WRITTEN PERMISSION OF LARSON ELECTRONICS LLC IS PROHIBITED.

UNLESS OTHERWISE NOTED:

Angle +/- .5 deg
 .X +/- .02
 .XX +/- .01
 .XXX +/- .005