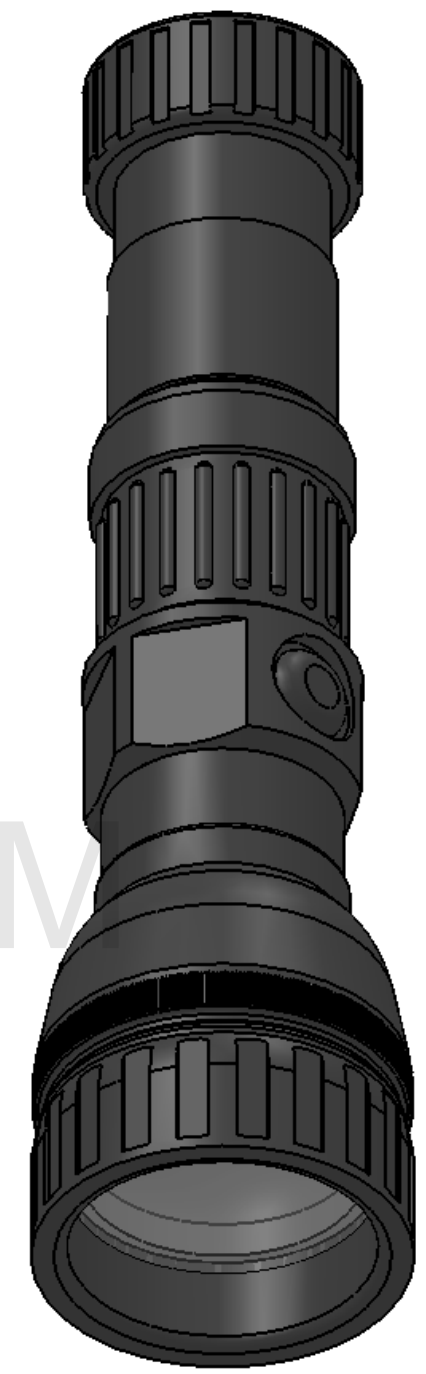
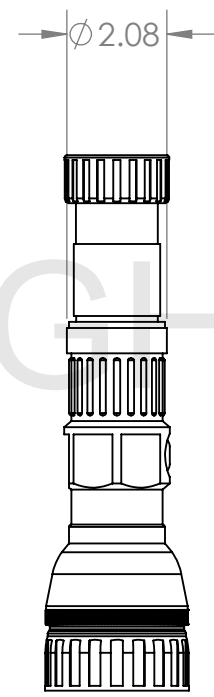
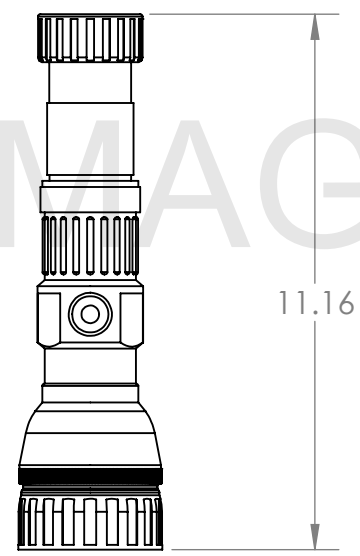
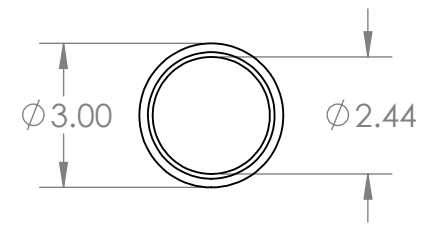


8 7 6 5 4 3 2 1

D  
C  
B  
A



MAGNALIGHT.COM

**PROPRIETARY AND CONFIDENTIAL**  
 THE INFORMATION CONTAINED IN THIS DRAWING IS THE SOLE PROPERTY OF Magnalight.com. ANY REPRODUCTION IN PART OR AS A WHOLE WITHOUT THE WRITTEN PERMISSION IS PROHIBITED.

		UNLESS OTHERWISE SPECIFIED:		NAME	DATE	Magnalight.com		
		DIMENSIONS ARE IN INCHES TOLERANCES: FRACTIONAL ± ANGULAR: MACH ± BEND ± TWO PLACE DECIMAL ± THREE PLACE DECIMAL ±		DRAWN		TITLE:		
		INTERPRET GEOMETRIC TOLERANCING PER:		CHECKED		ATX-20-S		
		MATERIAL		ENG APPR.		SIZE	DWG. NO.	REV
NEXT ASSY	USED ON	FINISH		MFG APPR.		<b>B</b>	<b>A1</b>	
APPLICATION		DO NOT SCALE DRAWING		Q.A.		SCALE: 1:4	WEIGHT:	SHEET 1 OF 1
				COMMENTS:				

8 7 6 5 4 3 2 1