

TITLE:

EHL-LED series

PROPRIETARY AND CONFIDENTIAL
 THE INFORMATION CONTAINED IN THIS DRAWING IS THE SOLE PROPERTY OF LARSON ELECTRONICS LLC. ANY REPRODUCTION IN PART OR AS A WHOLE WITHOUT THE WRITTEN PERMISSION OF LARSON ELECTRONICS LLC IS PROHIBITED.

DIMENSIONS ARE IN INCHES		DRAWN	CHRIS THAUER	SIZE	DWG. NO.	REV
MATERIAL		CHECKED	JEREMY BLANKENSHIP	A		
DO NOT SCALE DRAWING				SCALE: 1:6		SHEET 1 OF 1

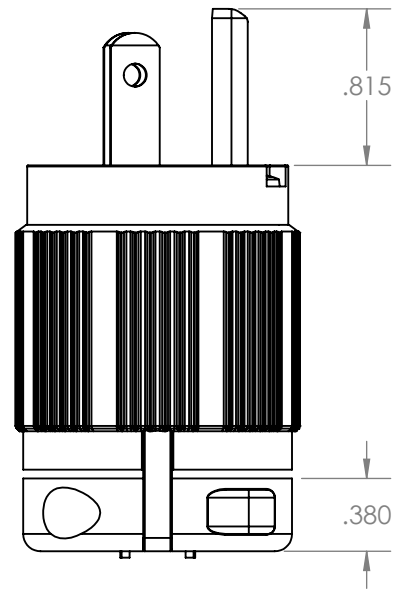
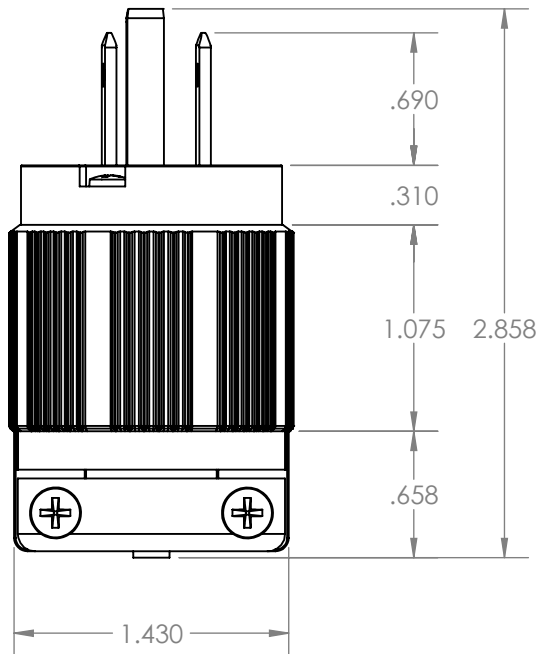
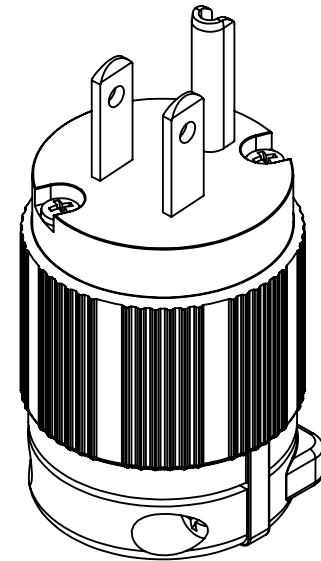
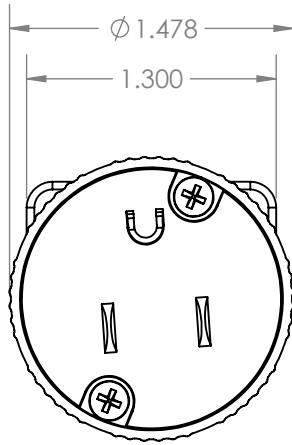
5

4

3

2

1



PROPRIETARY AND CONFIDENTIAL
 THE INFORMATION CONTAINED IN THIS DRAWING IS THE SOLE PROPERTY OF LARSON ELECTRONICS LLC. ANY REPRODUCTION IN PART OR AS A WHOLE WITHOUT THE WRITTEN PERMISSION OF LARSON ELECTRONICS LLC IS PROHIBITED.

TITLE:

5-15P

DIMENSIONS ARE IN INCHES		DRAWN	NAME	SIZE	DWG. NO.	REV
MATERIAL		CHECKED	CHRIS THAUER	A		
DO NOT SCALE DRAWING			JEREMY BLANKENSHIP			
				SCALE: 1:1	SHEET 1 OF 10	

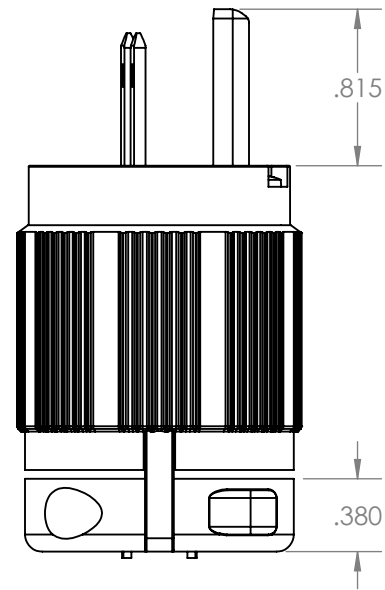
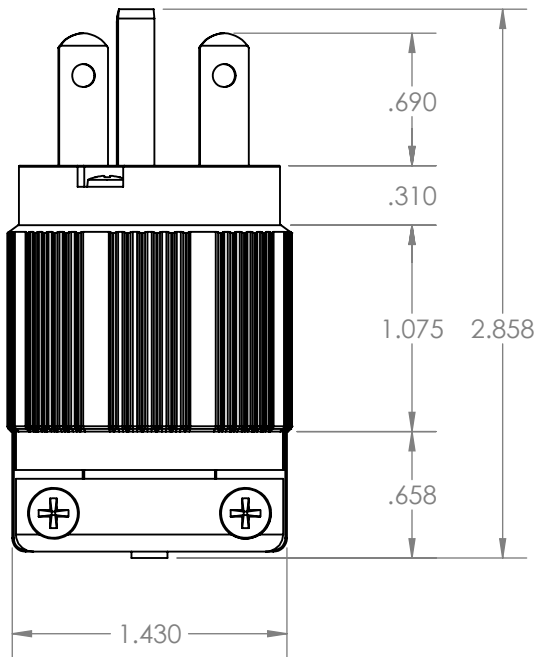
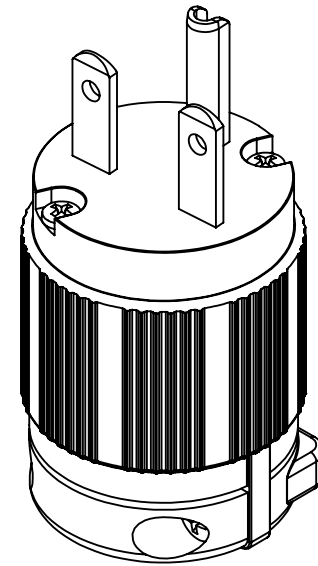
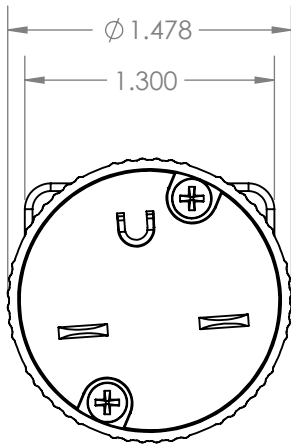
5

4

3

2

1

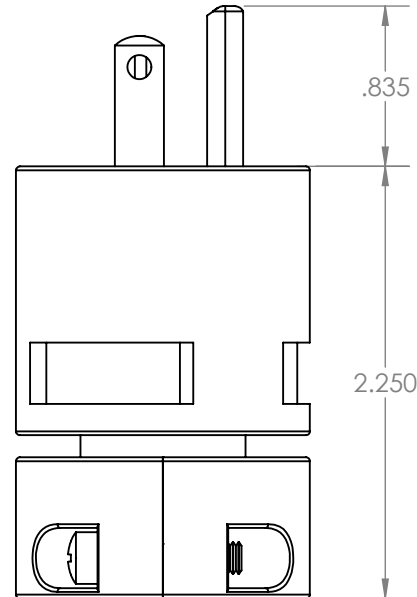
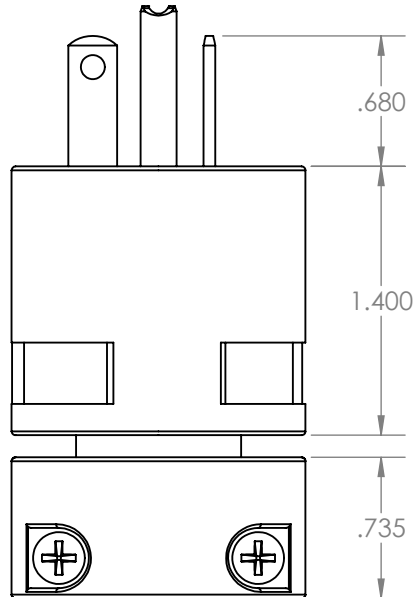
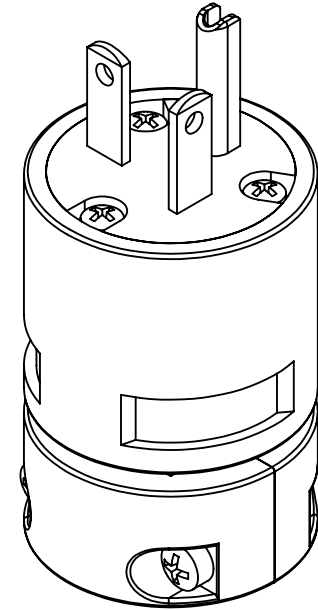
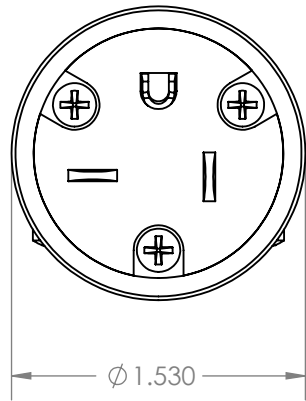


TITLE:

6-15P

PROPRIETARY AND CONFIDENTIAL
 THE INFORMATION CONTAINED IN THIS DRAWING IS THE SOLE PROPERTY OF LARSON ELECTRONICS LLC. ANY REPRODUCTION IN PART OR AS A WHOLE WITHOUT THE WRITTEN PERMISSION OF LARSON ELECTRONICS LLC IS PROHIBITED.

DIMENSIONS ARE IN INCHES		DRAWN	NAME	SIZE	DWG. NO.	REV
MATERIAL		CHECKED	CHRIS THAUER	A		
DO NOT SCALE DRAWING			JEREMY BLANKENSHIP			
				SCALE: 1:1	SHEET 2 OF 10	

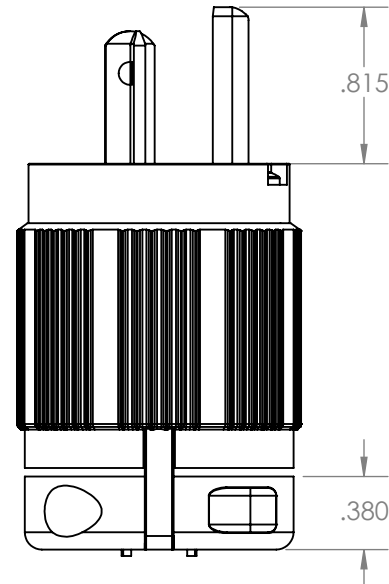
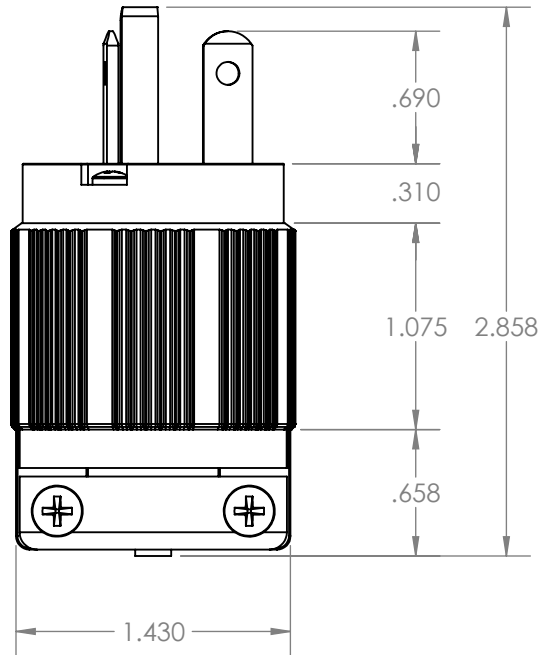
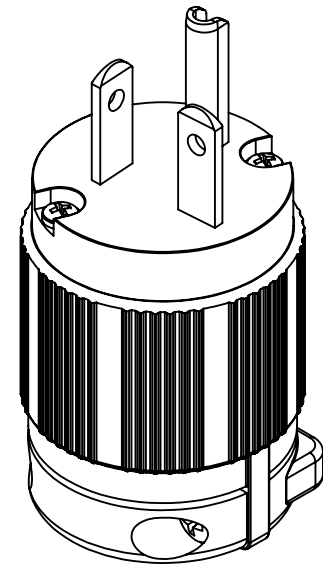
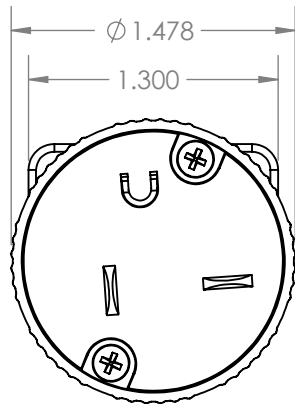


TITLE:

5-20P

PROPRIETARY AND CONFIDENTIAL
THE INFORMATION CONTAINED IN THIS DRAWING IS THE SOLE PROPERTY OF LARSON ELECTRONICS LLC. ANY REPRODUCTION IN PART OR AS A WHOLE WITHOUT THE WRITTEN PERMISSION OF LARSON ELECTRONICS LLC IS PROHIBITED.

DIMENSIONS ARE IN INCHES		DRAWN	NAME	SIZE	DWG. NO.	REV
MATERIAL		CHECKED	CHRIS THAUER	A		
DO NOT SCALE DRAWING			JEREMY BLANKENSHIP			
				SCALE: 1:1	SHEET 3 OF 10	



TITLE:

6-20P

PROPRIETARY AND CONFIDENTIAL
 THE INFORMATION CONTAINED IN THIS DRAWING IS THE SOLE PROPERTY OF LARSON ELECTRONICS LLC. ANY REPRODUCTION IN PART OR AS A WHOLE WITHOUT THE WRITTEN PERMISSION OF LARSON ELECTRONICS LLC IS PROHIBITED.

DIMENSIONS ARE IN INCHES		DRAWN	NAME	SIZE	DWG. NO.	REV
MATERIAL		CHECKED	CHRIS THAUER	A		
DO NOT SCALE DRAWING			JEREMY BLANKENSHIP			
				SCALE: 1:1	SHEET 4 OF 10	

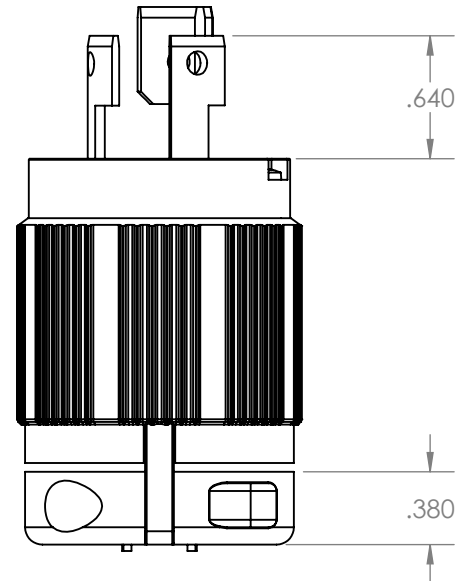
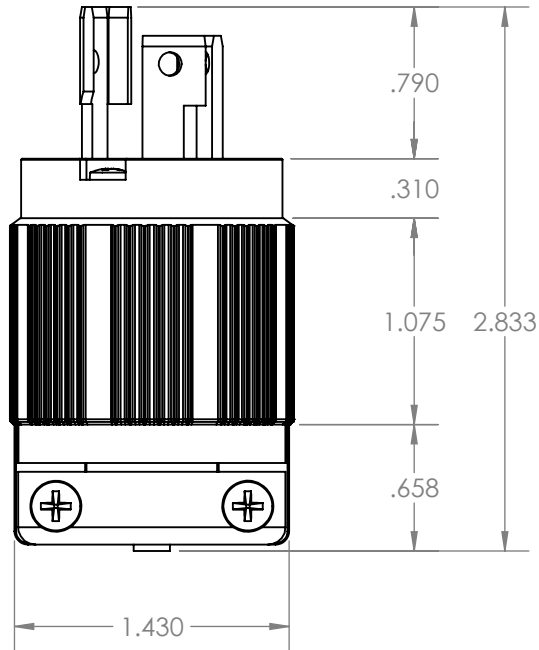
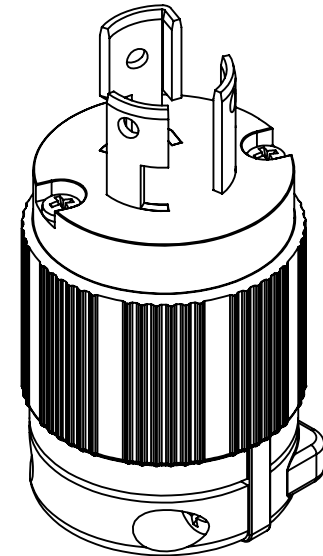
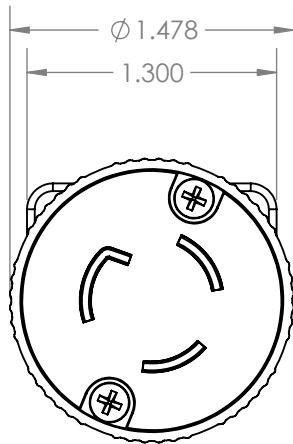
5

4

3

2

1

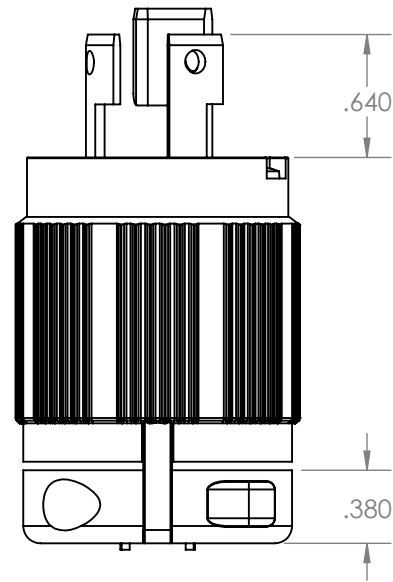
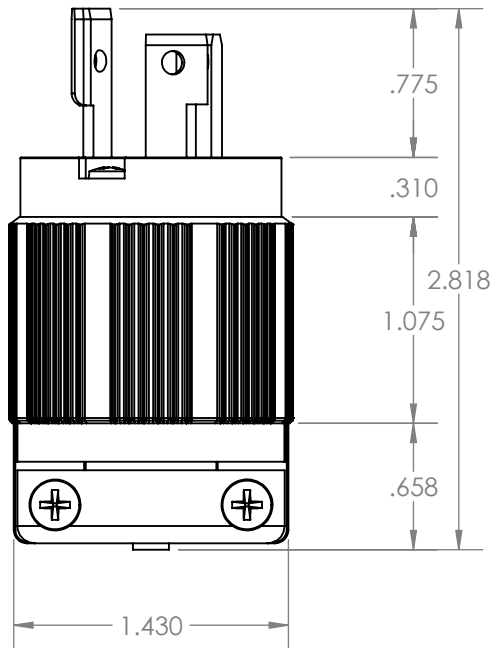
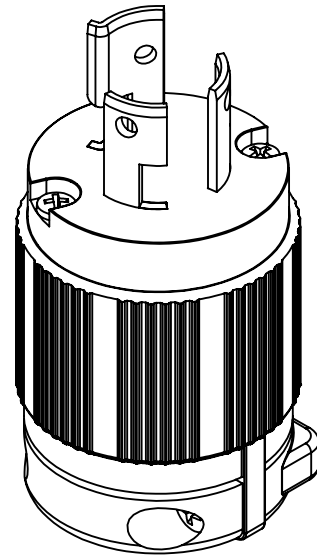
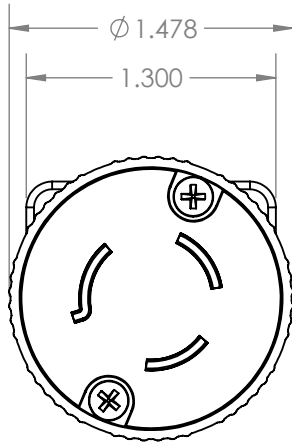


TITLE:

L5-15P

PROPRIETARY AND CONFIDENTIAL
 THE INFORMATION CONTAINED IN THIS DRAWING IS THE SOLE PROPERTY OF LARSON ELECTRONICS LLC. ANY REPRODUCTION IN PART OR AS A WHOLE WITHOUT THE WRITTEN PERMISSION OF LARSON ELECTRONICS LLC IS PROHIBITED.

DIMENSIONS ARE IN INCHES		DRAWN	NAME	SIZE	DWG. NO.	REV
MATERIAL		CHECKED	CHRIS THAUER	A		
DO NOT SCALE DRAWING			JEREMY BLANKENSHIP			
				SCALE: 1:1	SHEET 5 OF 10	

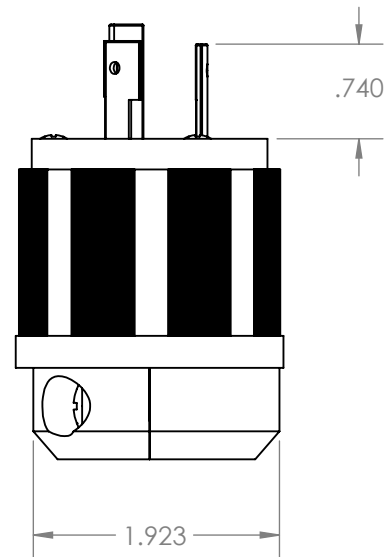
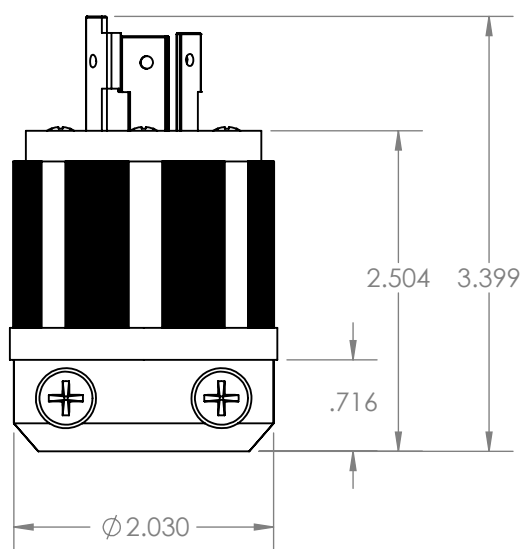
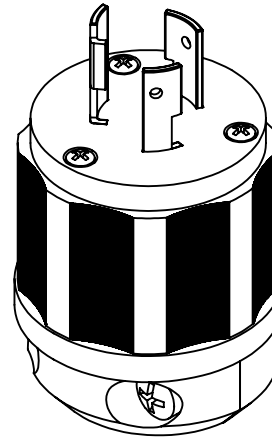
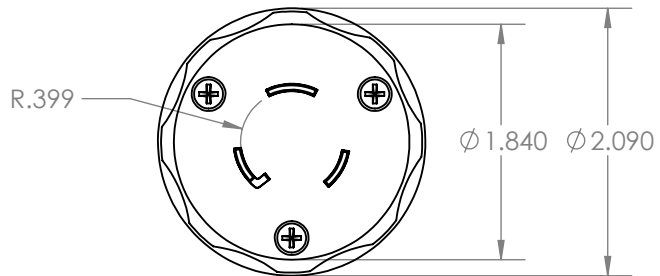


PROPRIETARY AND CONFIDENTIAL
 THE INFORMATION CONTAINED IN THIS DRAWING IS THE SOLE PROPERTY OF LARSON ELECTRONICS LLC. ANY REPRODUCTION IN PART OR AS A WHOLE WITHOUT THE WRITTEN PERMISSION OF LARSON ELECTRONICS LLC IS PROHIBITED.

TITLE:

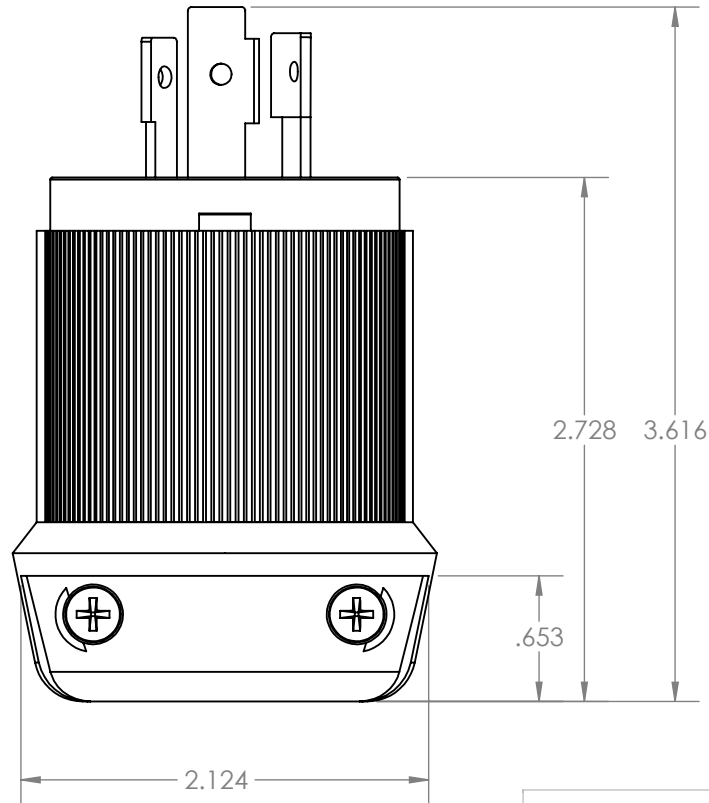
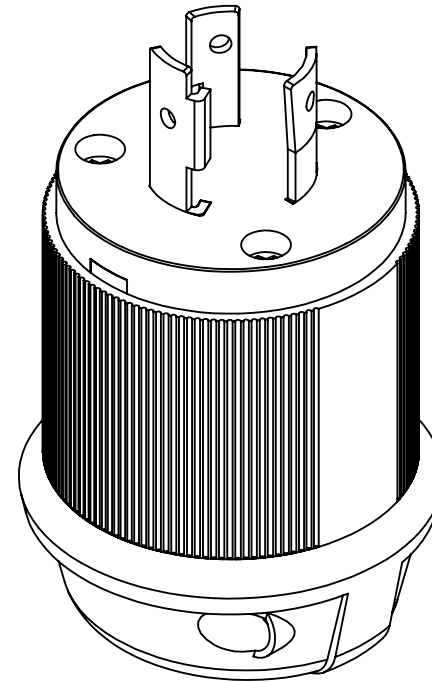
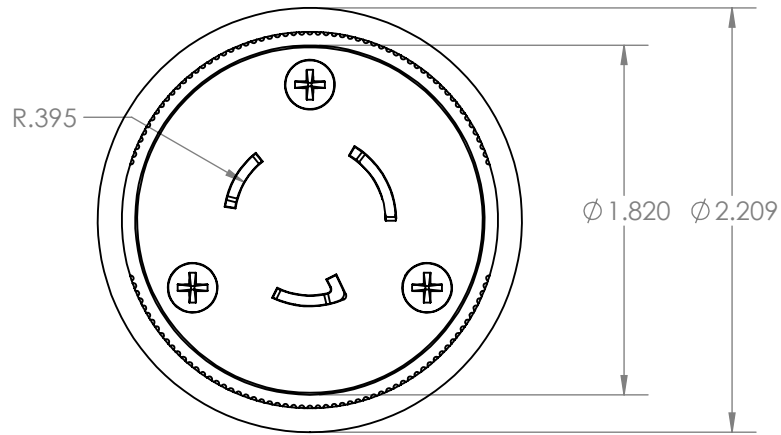
L6-15P

DIMENSIONS ARE IN INCHES		DRAWN	NAME	SIZE	DWG. NO.	REV
MATERIAL		CHECKED	CHRIS THAUER	A		
DO NOT SCALE DRAWING			JEREMY BLANKENSHIP			
				SCALE: 1:1	SHEET 6 OF 10	



TITLE:				
L5-20P				
NAME	SIZE	DWG. NO.	REV	
CHRIS THAUER	A			
DIMENSIONS ARE IN INCHES	DRAWN	CHECKED	DO NOT SCALE DRAWING	
			SCALE: 2:3	SHEET 7 OF 10

PROPRIETARY AND CONFIDENTIAL
 THE INFORMATION CONTAINED IN THIS DRAWING IS THE SOLE PROPERTY OF LARSON ELECTRONICS LLC. ANY REPRODUCTION IN PART OR AS A WHOLE WITHOUT THE WRITTEN PERMISSION OF LARSON ELECTRONICS LLC IS PROHIBITED.



PROPRIETARY AND CONFIDENTIAL
 THE INFORMATION CONTAINED IN THIS DRAWING IS THE SOLE PROPERTY OF LARSON ELECTRONICS LLC. ANY REPRODUCTION IN PART OR AS A WHOLE WITHOUT THE WRITTEN PERMISSION OF LARSON ELECTRONICS LLC IS PROHIBITED.

TITLE:

L6-20P

DIMENSIONS ARE IN INCHES		DRAWN	CHRIS THAUER	SIZE	DWG. NO.	REV
MATERIAL		CHECKED	JEREMY BLANKENSHIP	A		
DO NOT SCALE DRAWING				SCALE: 1:1		SHEET 8 OF 10

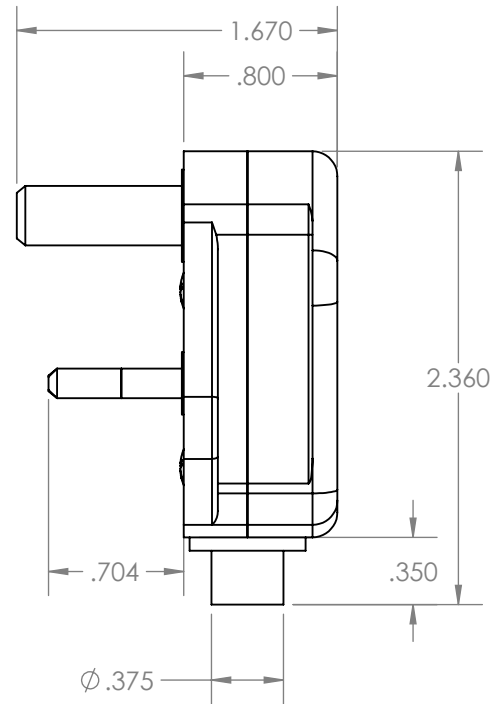
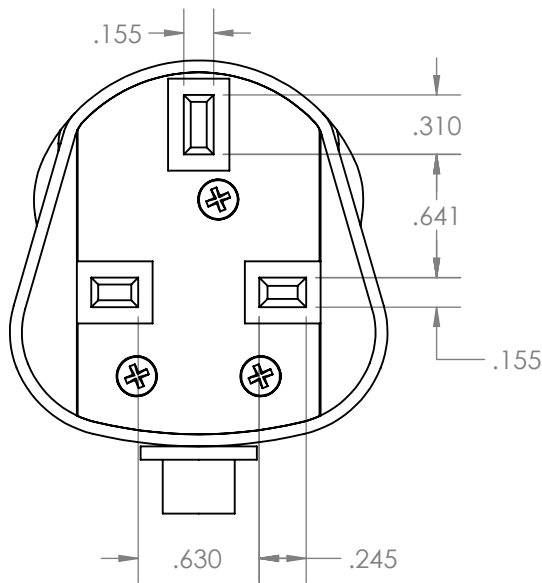
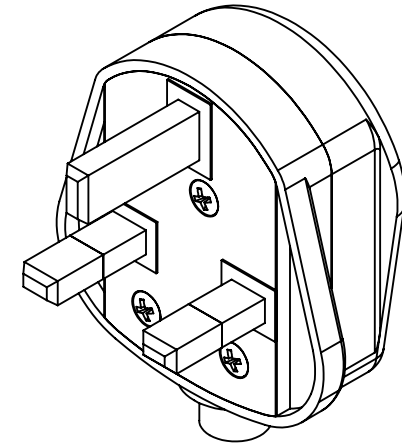
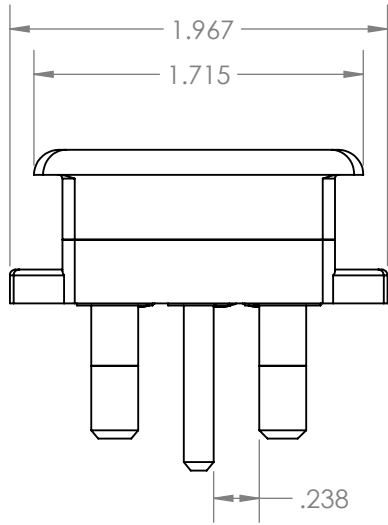
5

4

3

2

1



PROPRIETARY AND CONFIDENTIAL
 THE INFORMATION CONTAINED IN THIS DRAWING IS THE SOLE PROPERTY OF LARSON ELECTRONICS LLC. ANY REPRODUCTION IN PART OR AS A WHOLE WITHOUT THE WRITTEN PERMISSION OF LARSON ELECTRONICS LLC IS PROHIBITED.

TITLE:

BS1363

DIMENSIONS ARE IN INCHES		DRAWN	NAME	SIZE	DWG. NO.	REV
MATERIAL		CHECKED	CHRIS THAUER	A		
DO NOT SCALE DRAWING			JEREMY BLANKENSHIP			
				SCALE: 1:1	SHEET 9 OF 10	

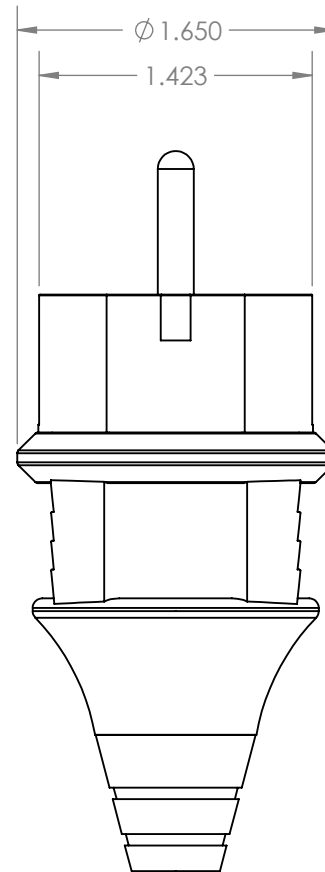
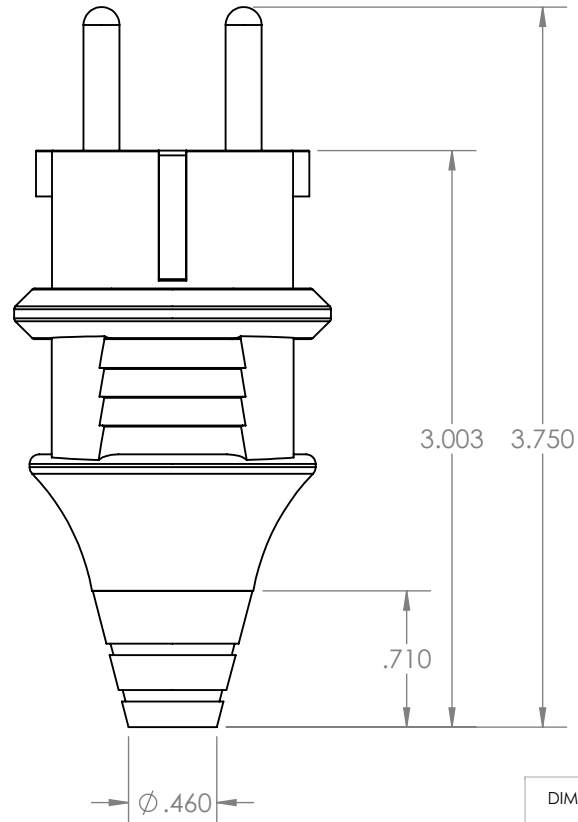
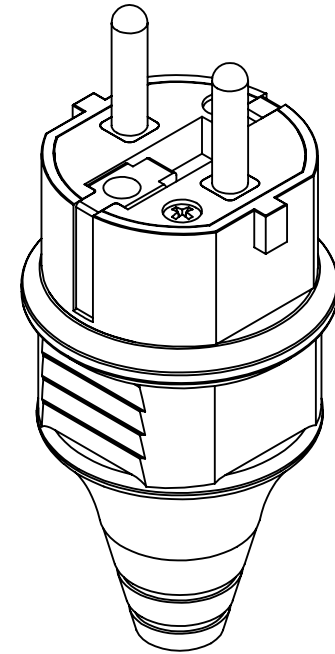
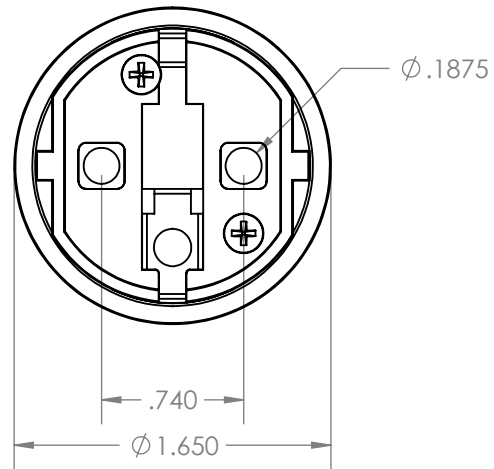
5

4

3

2

1



TITLE:

SCHUKO

PROPRIETARY AND CONFIDENTIAL
THE INFORMATION CONTAINED IN THIS DRAWING IS THE SOLE PROPERTY OF LARSON ELECTRONICS LLC. ANY REPRODUCTION IN PART OR AS A WHOLE WITHOUT THE WRITTEN PERMISSION OF LARSON ELECTRONICS LLC IS PROHIBITED.

DIMENSIONS ARE IN INCHES		DRAWN	CHRIS THAUER	SIZE	DWG. NO.	REV
MATERIAL		CHECKED	JEREMY BLANKENSHIP	A		
DO NOT SCALE DRAWING				SCALE: 1:1		SHEET 10 OF 10

5

4

3

2

1