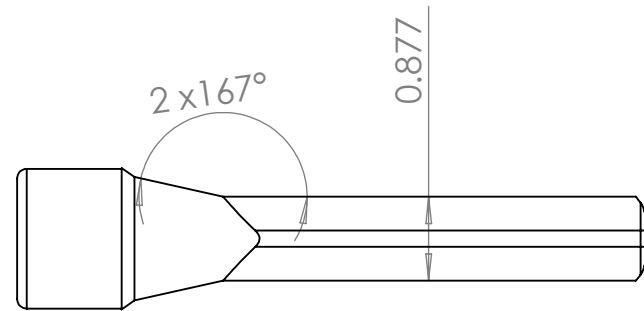
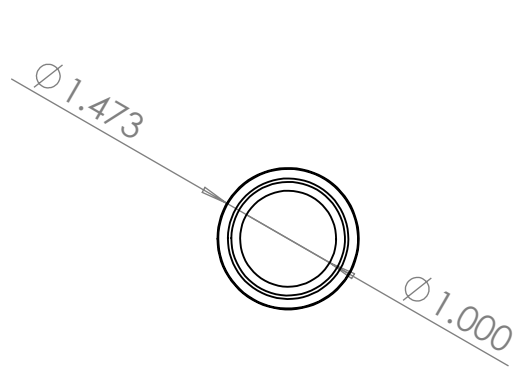
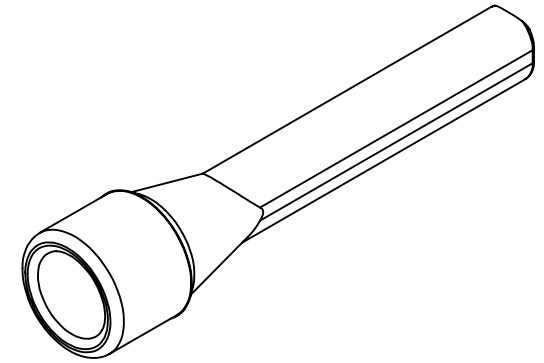
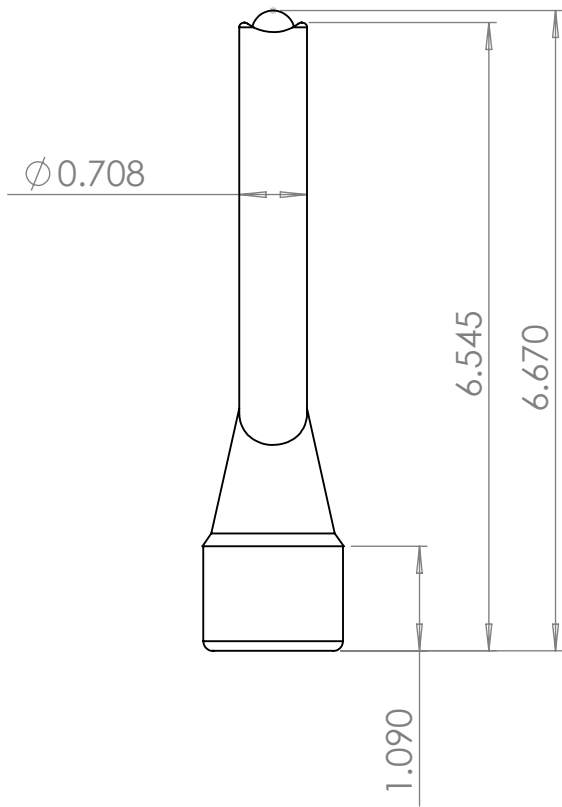


TITLE:		
<b>EXPFL-31</b>		
SIZE	DWG. NO.	REV
<b>A</b>		<b>00</b>
SCALE: NTS		SHEET 1 OF 2

DIMENSIONS ARE IN INCHES		NAME	
Quantity	1	DRAWN	Luis Martinez
MATERIAL		CHECKED	N/A
DO NOT SCALE DRAWING		DATE	03/08/2017

UNLESS OTHERWISE NOTED:  
 ANGLE: +/- .5  
 .X +/- .02  
 .XX +/- .01  
 .XXX +/- .005

**PROPRIETARY AND CONFIDENTIAL**  
 THE INFORMATION CONTAINED IN THIS DRAWING IS THE SOLE PROPERTY OF LARSON ELECTRONICS LLC. ANY REPRODUCTION IN PART OR AS A WHOLE WITHOUT THE WRITTEN PERMISSION OF LARSON ELECTRONICS LLC IS PROHIBITED.



TITLE:		
<b>EXPFL-31</b>		
SIZE	DWG. NO.	REV
<b>A</b>		<b>00</b>
SCALE: NTS		SHEET 2 OF 2

DIMENSIONS ARE IN INCHES			NAME
Quantity	1	DRAWN	Luis Martinez
MATERIAL		CHECKED	N/A
DO NOT SCALE DRAWING		DATE	03/08/2017

**PROPRIETARY AND CONFIDENTIAL**  
 THE INFORMATION CONTAINED IN THIS DRAWING IS THE SOLE PROPERTY OF LARSON ELECTRONICS LLC. ANY REPRODUCTION IN PART OR AS A WHOLE WITHOUT THE WRITTEN PERMISSION OF LARSON ELECTRONICS LLC IS PROHIBITED.

UNLESS OTHERWISE NOTED:  
 ANGLE: +/- .5  
 .X +/- .02  
 .XX +/- .01  
 .XXX +/- .005