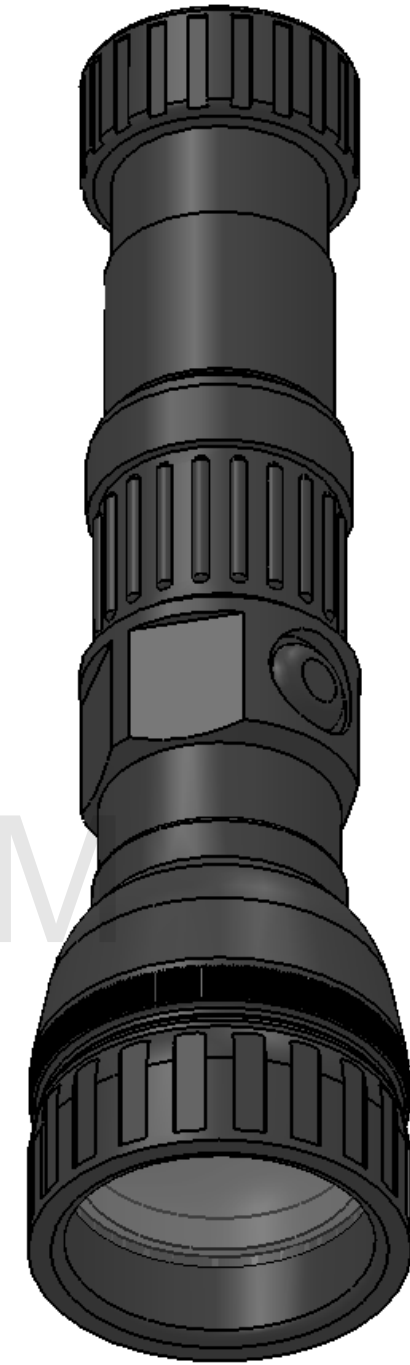
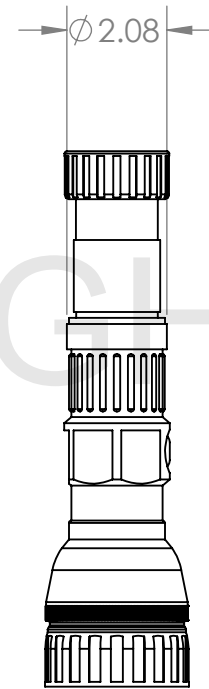
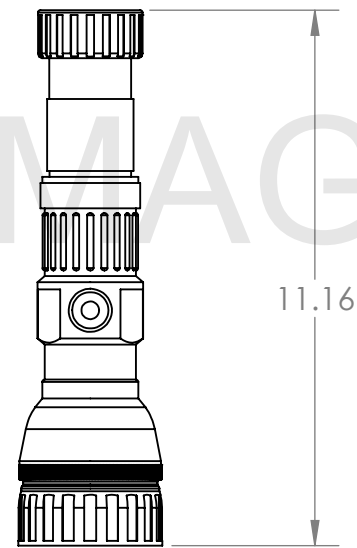
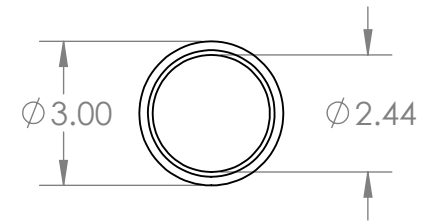


8 7 6 5 4 3 2 1

D
C
B
A

D
C
B
A



MAGNALIGHT.COM

PROPRIETARY AND CONFIDENTIAL
 THE INFORMATION CONTAINED IN THIS DRAWING IS THE SOLE PROPERTY OF Magnalight.com. ANY REPRODUCTION IN PART OR AS A WHOLE WITHOUT THE WRITTEN PERMISSION IS PROHIBITED.

		UNLESS OTHERWISE SPECIFIED:		NAME	DATE	Magnalight.com	
		DIMENSIONS ARE IN INCHES		DRAWN		TITLE: EPL-UV-20	
		TOLERANCES:		CHECKED		SHEET 1 OF 1	
		FRACTIONAL \pm		ENG APPR.		SIZE	DWG. NO.
		ANGULAR: MACH \pm BEND \pm		MFG APPR.		B	REV
		TWO PLACE DECIMAL \pm		Q.A.		SCALE: 1:4 WEIGHT:	
		THREE PLACE DECIMAL \pm		COMMENTS:			
		DO NOT SCALE DRAWING					
		INTERPRET GEOMETRIC					
		TOLERANCING PER:					
		MATERIAL					
NEXT ASSY	USED ON	FINISH					
APPLICATION							

8 7 6 5 4 3 2 1