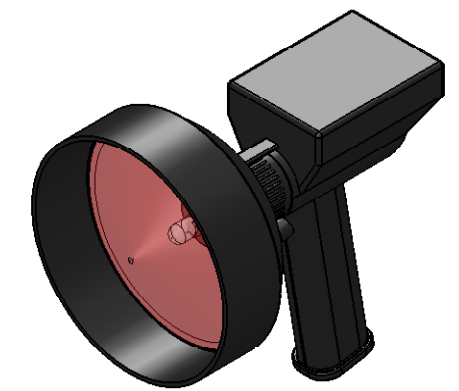
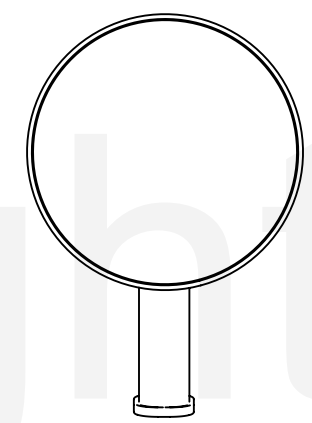
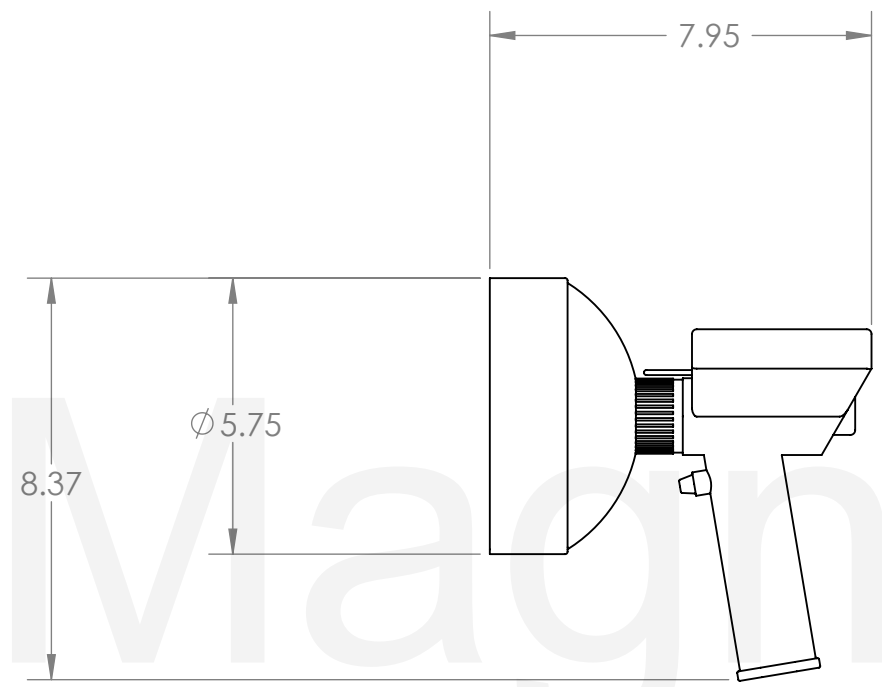


8 7 6 5 4 3 2 1

D

D

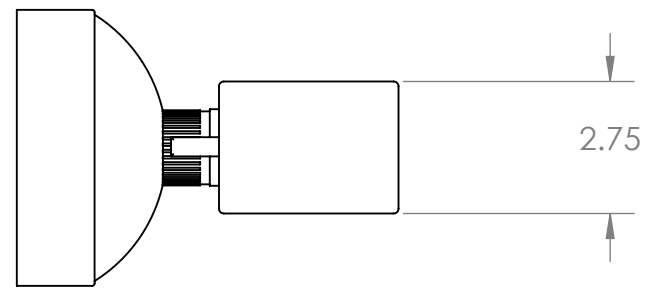


C

C

B

B



A

A

**PROPRIETARY AND CONFIDENTIAL**  
 THE INFORMATION CONTAINED IN THIS DRAWING IS THE SOLE PROPERTY OF Magnalight.com. ANY REPRODUCTION IN PART OR AS A WHOLE WITHOUT THE WRITTEN PERMISSION IS PROHIBITED.

		UNLESS OTHERWISE SPECIFIED:		NAME	DATE	<b>Magnalight.com</b>	
		DIMENSIONS ARE IN INCHES TOLERANCES: FRACTIONAL ± ANGULAR: MACH ± BEND ± TWO PLACE DECIMAL ± THREE PLACE DECIMAL ±		DRAWN			
		INTERPRET GEOMETRIC TOLERANCING PER:		CHECKED		SIZE <b>B</b>	
		MATERIAL		ENG APPR.			
		FINISH		MFG APPR.		SCALE: 1:4 WEIGHT: SHEET 1 OF 1	
NEXT ASSY	USED ON	DO NOT SCALE DRAWING		Q.A.			
APPLICATION				COMMENTS:			

8 7 6 5 4 3 2 1