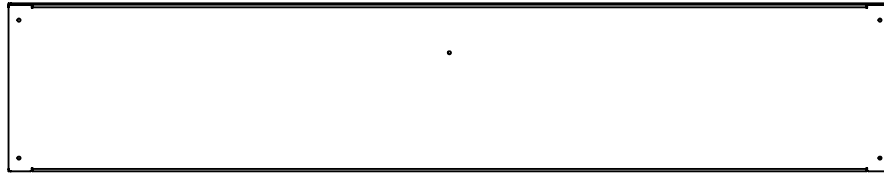


PART NUMBER:
IND-DBL-FUVC-EX-36-2L-R1-120V

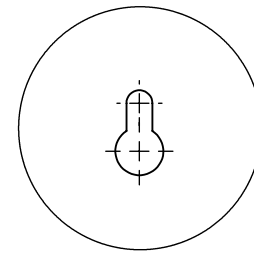
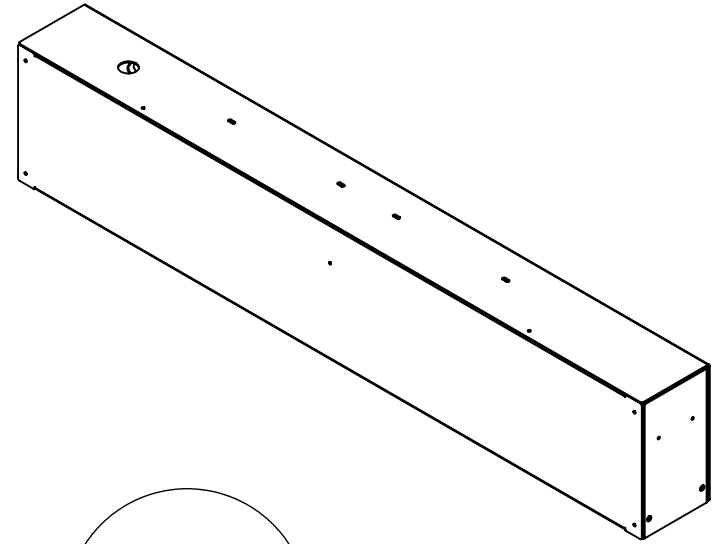
SIZE		REV
A		1

PROPRIETARY AND CONFIDENTIAL
 THE INFORMATION CONTAINED IN THIS DRAWING IS THE SOLE PROPERTY OF LARSON ELECTRONICS LLC. ANY REPRODUCTION IN PART OR AS A WHOLE WITHOUT THE WRITTEN PERMISSION OF LARSON ELECTRONICS LLC IS PROHIBITED.

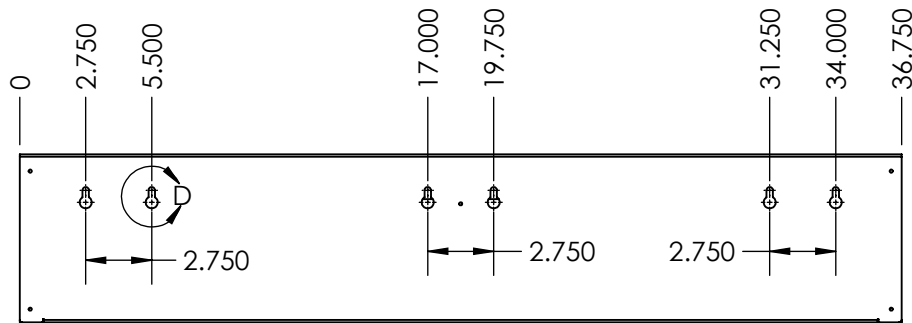
DIMENSIONS ARE IN INCHES				
DO NOT SCALE DRAWING	DATE	12/11/2020	SCALE: NTS	SHEET 1 OF 10



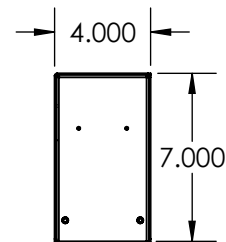
FRONT VIEW



DETAIL D
SCALE 1:2



BACK VIEW



PART NUMBER:

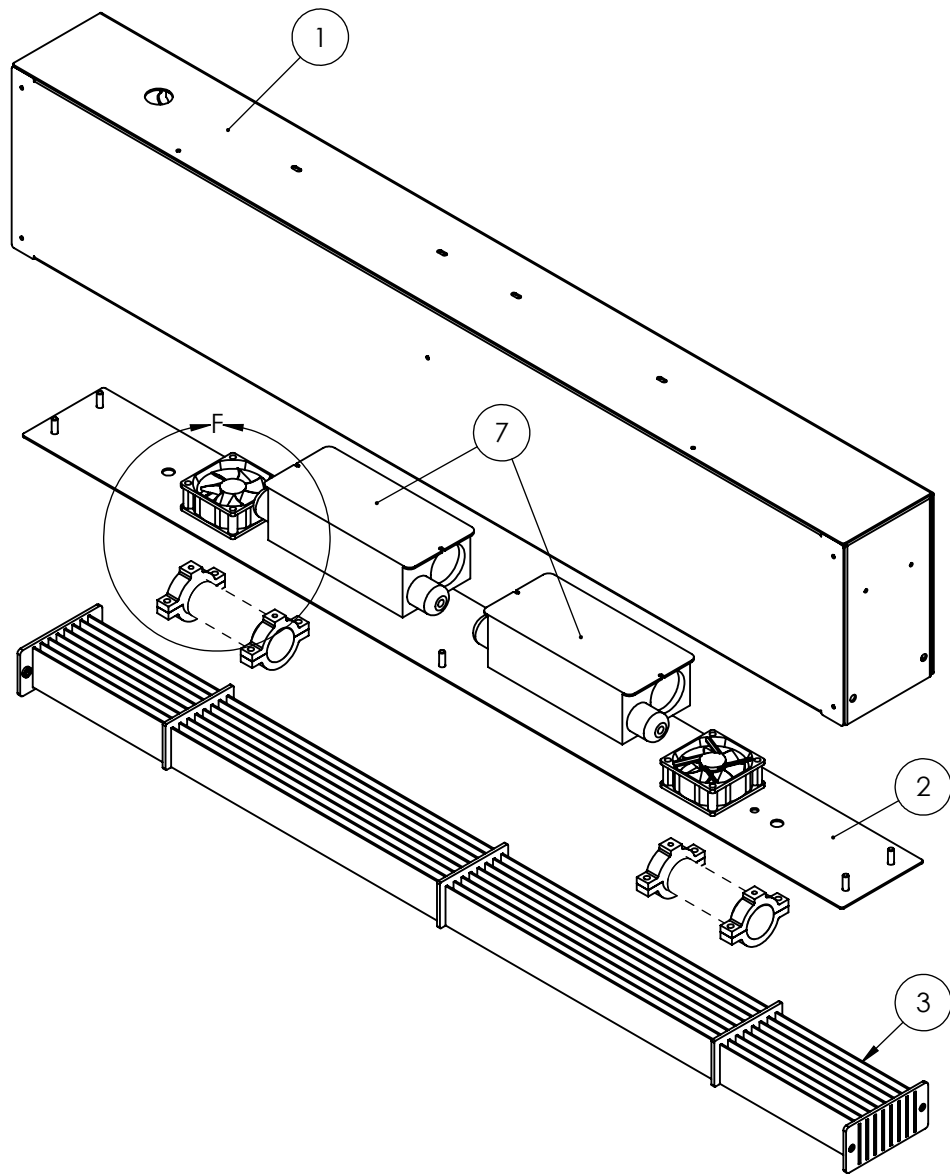
IND-DBL-FUVC-EX-36-2L-R1-120V

SIZE
A

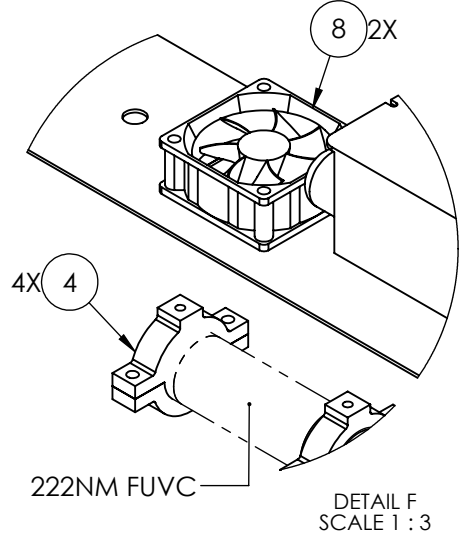
REV
1

PROPRIETARY AND CONFIDENTIAL
THE INFORMATION CONTAINED IN THIS DRAWING IS THE SOLE PROPERTY OF LARSON ELECTRONICS LLC. ANY REPRODUCTION IN PART OR AS A WHOLE WITHOUT THE WRITTEN PERMISSION OF LARSON ELECTRONICS LLC IS PROHIBITED.

DIMENSIONS ARE IN INCHES					
DO NOT SCALE DRAWING	DATE	12/11/2020	SCALE: NTS		SHEET 2 OF 10



ITEM NO.	PART NUMBER	DESCRIPTION	QTY.
1	FAB00001504A	BOX ASSEMBLY	1
2	FAB00001504B	COVER PLATE	1
3	FAB00001335C	LOUVER ASSEMBLY	1
4	FAB00001402(2L)-C	LAMP CLAMP	4
5	-	#10 Washer	6
6	-	#10-32x5/8, Socket Head Cap Screw	6
7	UNV00015551	POWER SUPPLY FOR 222NM EXCIMER LAMP	2
8	UNV00016043	AXIAL 6025 Cooling Fan	2



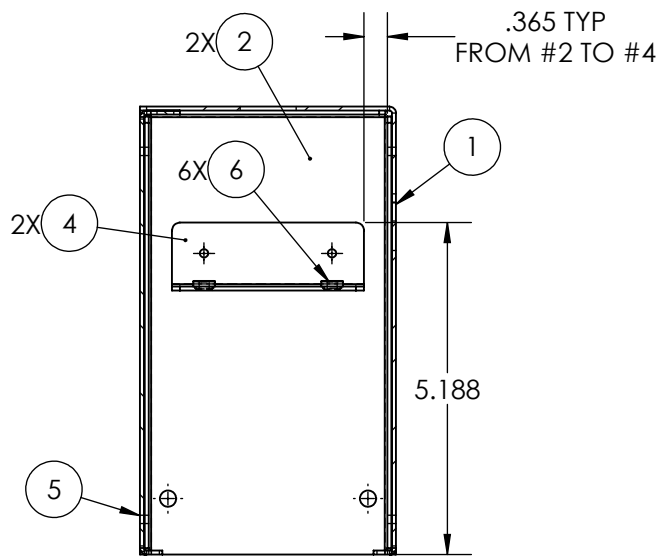
TITLE:
GERMICIDAL DOOR BARRIER - FAR UVC

PROPRIETARY AND CONFIDENTIAL
 THE INFORMATION CONTAINED IN THIS DRAWING IS THE SOLE PROPERTY OF LARSON ELECTRONICS LLC. ANY REPRODUCTION IN PART OR AS A WHOLE WITHOUT THE WRITTEN PERMISSION OF LARSON ELECTRONICS LLC IS PROHIBITED.

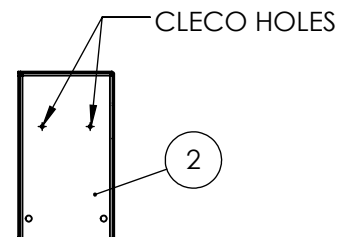
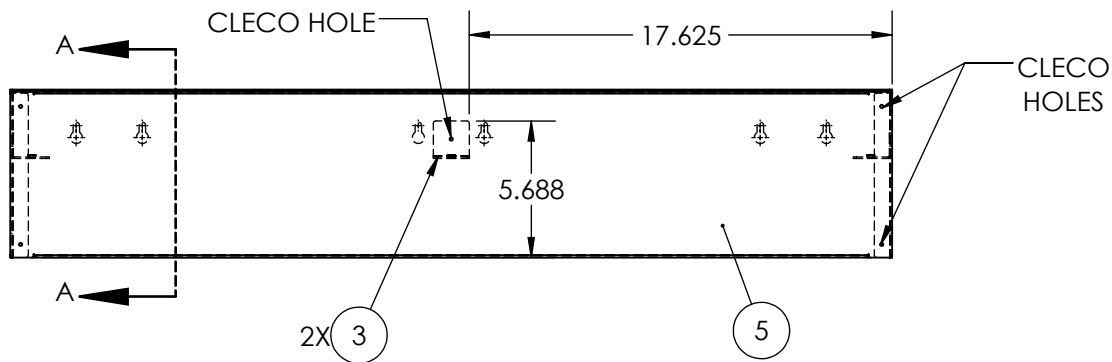
UNLESS OTHERWISE NOTED:
 ANGLE: +/- .5
 .X +/- .02
 .XX +/- .01
 .XXX +/- .005

SURFACE AREA	3129.60	DRAWN	SONI
DIMENSIONS ARE IN INCHES		CHECKED	
DO NOT SCALE DRAWING		DATE	12/11/2020

NAME	SIZE	PRT. NO.	REV
	A	IND-DBL-FUVC-EX-36-2L-R1-120V	1
SCALE: NTS			SHEET 3 OF 10



SECTION A-A
SCALE 1 : 3



ITEM NO.	PART NUMBER	DESCRIPTION	QTY.
1	FAB00001504A-1	COVER PLATE	1
2	FAB00001504A-2	SIDE PLATE	2
3	FAB00001504A-3	CENTER BRACKET	2
4	FAB00001504A-4	SIDE BRACKETS	2
5	FAB00001504A-5	BOX PLATE-2	1
6	SP-10-32-2	#10-32 PEM NUT	6

TITLE:

BOX ASSEMBLY

PROPRIETARY AND CONFIDENTIAL
THE INFORMATION CONTAINED IN THIS DRAWING IS THE SOLE PROPERTY OF LARSON ELECTRONICS LLC. ANY REPRODUCTION IN PART OR AS A WHOLE WITHOUT THE WRITTEN PERMISSION OF LARSON ELECTRONICS LLC IS PROHIBITED.

UNLESS OTHERWISE NOTED:

ANGLE: +/- .5
.X +/- .02
.XX +/- .01
.XXX +/- .005

SURFACE AREA **1596.82**

DRAWN

NAME

SONI

SIZE
A

PRT. NO.

**IND-DBL-FUVC-EX-36-2L-
R1-120V**

REV

1

DO NOT SCALE DRAWING

DATE

12/11/2020

SCALE: NTS

SHEET 4 OF 10

6

5

4

3

2

1

F

F

E

E

D

D

C

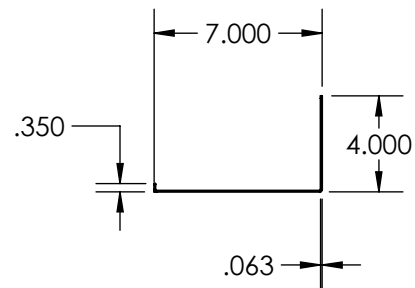
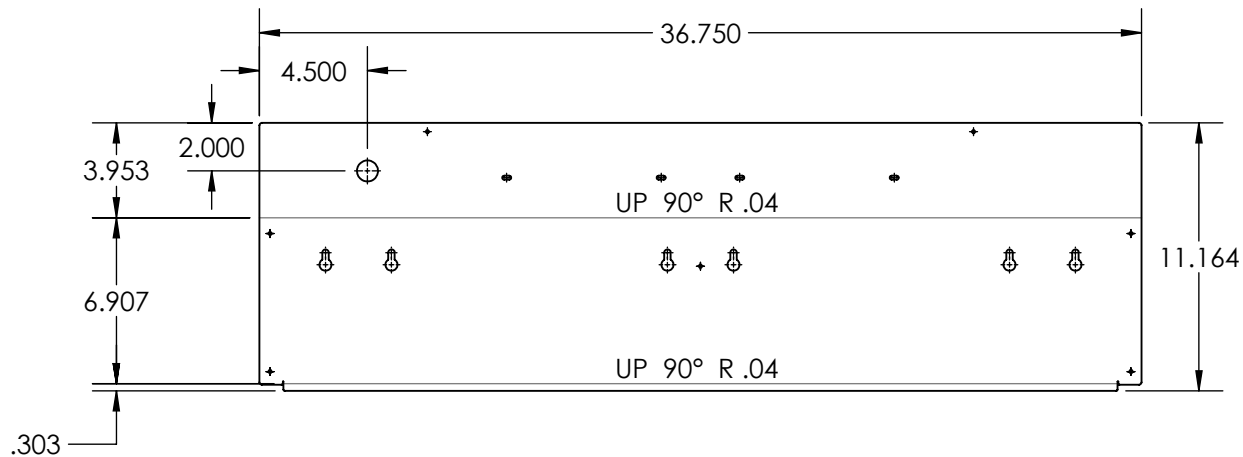
C

B

B

A

A



TITLE:			
COVER PLATE			
SIZE	DWG. NO.	REV	
A	IND-DBL-FUVC-EX-36-2L-R1-120V	1	
SCALE: NTS		SHEET 5 OF 10	

FINISH			
SURFACE AREA [sq. in]	821.549	NAME	
DIMENSIONS ARE IN INCHES	DRAWN	SONI	
MATERIAL	304 STAINLESS STEEL	CHECKED	N/A
DO NOT SCALE DRAWING	DATE	12/11/2020	

PROPRIETARY AND CONFIDENTIAL
 THE INFORMATION CONTAINED IN THIS DRAWING IS THE SOLE PROPERTY OF LARSON ELECTRONICS LLC. ANY REPRODUCTION IN PART OR AS A WHOLE WITHOUT THE WRITTEN PERMISSION OF LARSON ELECTRONICS LLC IS PROHIBITED.

UNLESS OTHERWISE NOTED:
 Angle +/- .5 deg
 .X +/- .02
 .XX +/- .01
 .XXX +/- .005

6

5

4

3

2

1

6 5 4 3 2 1

F

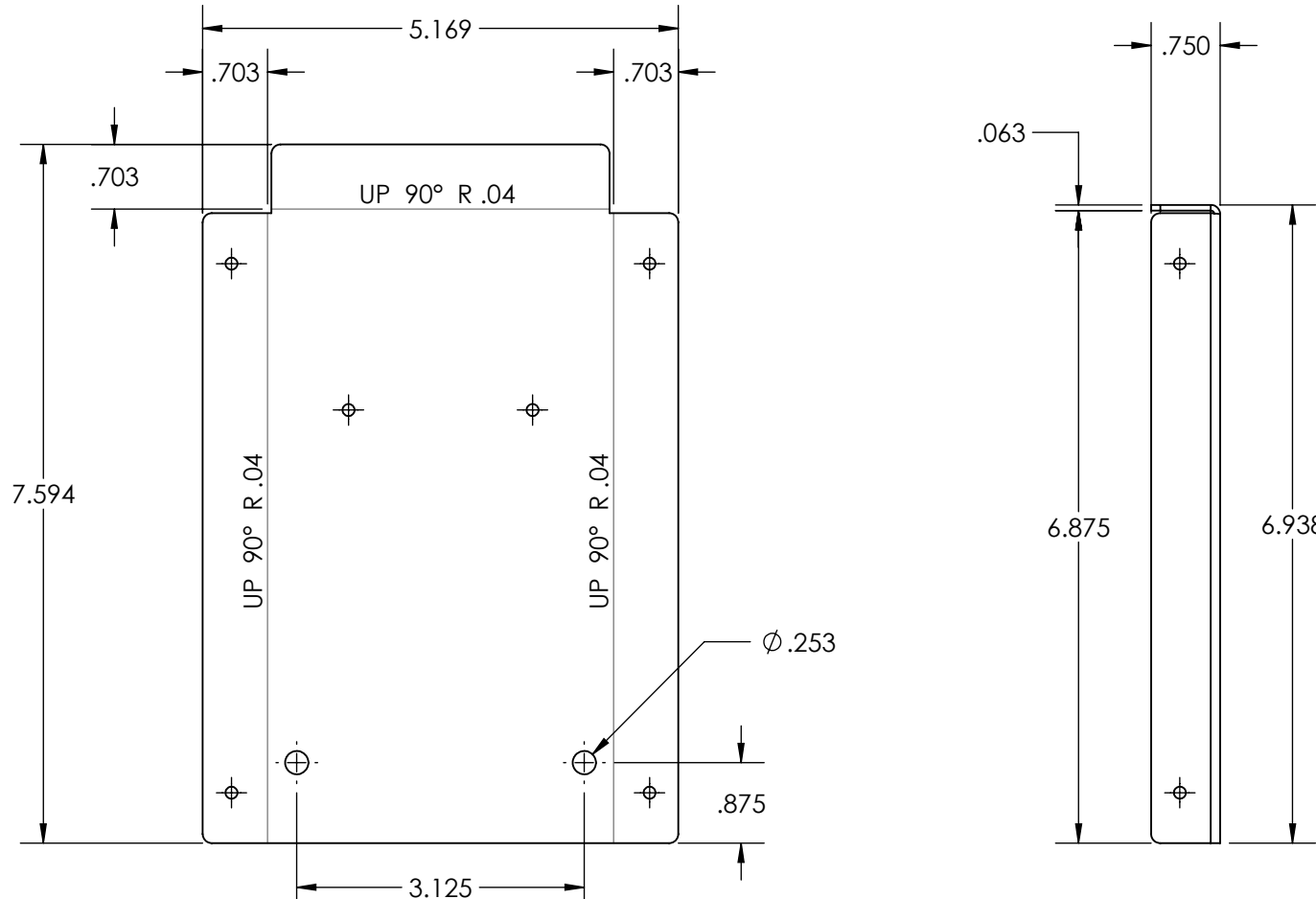
E

D

C

B

A



TITLE:

SIDE PLATE

PROPRIETARY AND CONFIDENTIAL
THE INFORMATION CONTAINED IN THIS DRAWING IS THE SOLE PROPERTY OF LARSON ELECTRONICS LLC. ANY REPRODUCTION IN PART OR AS A WHOLE WITHOUT THE WRITTEN PERMISSION OF LARSON ELECTRONICS LLC IS PROHIBITED.

UNLESS OTHERWISE NOTED:
Angle +/- .5 deg
.X +/- .02
.XX +/- .01
.XXX +/- .005

FINISH			
SURFACE AREA [sq. in]	77.719	NAME	
DIMENSIONS ARE IN INCHES	DRAWN	SONI	
MATERIAL	304 STAINLESS STEEL	CHECKED	N/A
DO NOT SCALE DRAWING	DATE	12/11/2020	

SIZE	DWG. NO.	REV
A	IND-DBL-FUVC-EX-36-2L-R1-120V	1

SCALE: NTS SHEET 6 OF 10

6 5 4 3 2 1

6

5

4

3

2

1

F

F

E

E

D

D

C

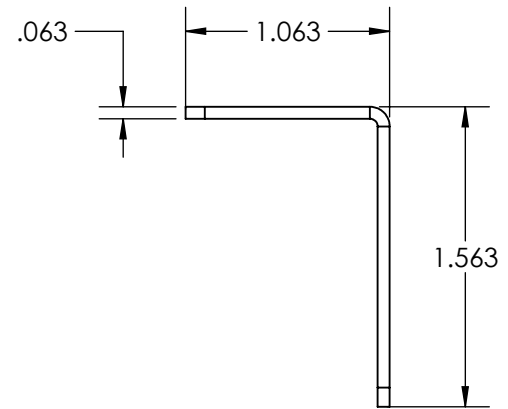
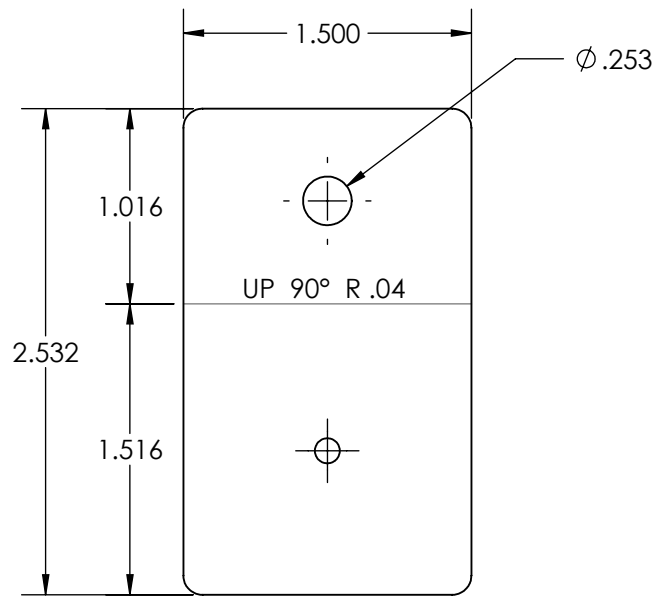
C

B

B

A

A



TITLE:
CENTER BRACKET

FINISH		8.020	NAME
SURFACE AREA [sq. in]		DRAWN	SONI
DIMENSIONS ARE IN INCHES		CHECKED	N/A
MATERIAL	304 STAINLESS STEEL	DATE	12/11/2020
DO NOT SCALE DRAWING			

SIZE	DWG. NO.	REV
A	IND-DBL-FUVC-EX-36-2L-R1-120V	1
SCALE: NTS		SHEET 7 OF 10

PROPRIETARY AND CONFIDENTIAL
THE INFORMATION CONTAINED IN THIS DRAWING IS THE SOLE PROPERTY OF LARSON ELECTRONICS LLC. ANY REPRODUCTION IN PART OR AS A WHOLE WITHOUT THE WRITTEN PERMISSION OF LARSON ELECTRONICS LLC IS PROHIBITED.

UNLESS OTHERWISE NOTED:
Angle +/- .5 deg
.X +/- .02
.XX +/- .01
.XXX +/- .005

6

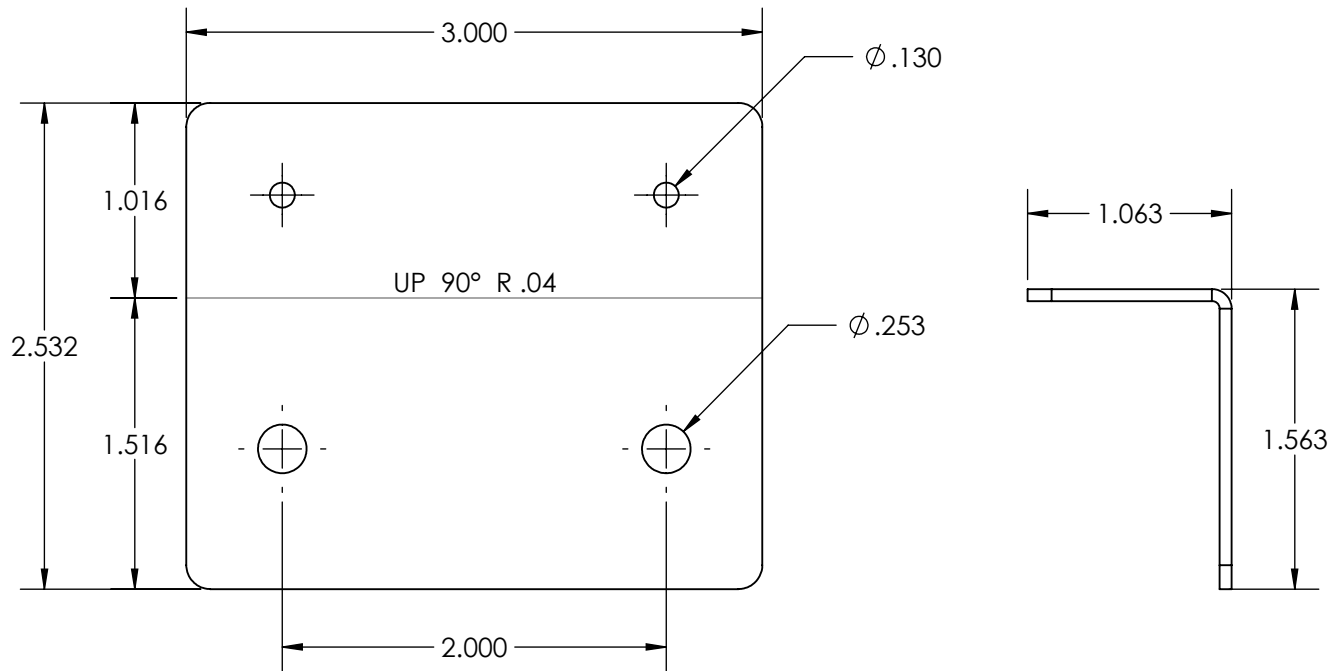
5

4

3

2

1



TITLE:		
SIDE BRACKETS		
SIZE	DWG. NO.	REV
A	IND-DBL-FUVC-EX-36-2L-R1-120V	1
SCALE: NTS		SHEET 8 OF 10

FINISH			
SURFACE AREA [sq. in]	15.739	NAME	
DIMENSIONS ARE IN INCHES	DRAWN	SONI	
MATERIAL	304 STAINLESS STEEL	CHECKED	N/A
DO NOT SCALE DRAWING	DATE	12/11/2020	

PROPRIETARY AND CONFIDENTIAL
THE INFORMATION CONTAINED IN THIS DRAWING IS THE SOLE PROPERTY OF LARSON ELECTRONICS LLC. ANY REPRODUCTION IN PART OR AS A WHOLE WITHOUT THE WRITTEN PERMISSION OF LARSON ELECTRONICS LLC IS PROHIBITED.

UNLESS OTHERWISE NOTED:
 Angle +/- .5 deg
 .X +/- .02
 .XX +/- .01
 .XXX +/- .005

6

5

4

3

2

1

F

F

E

E

D

D

C

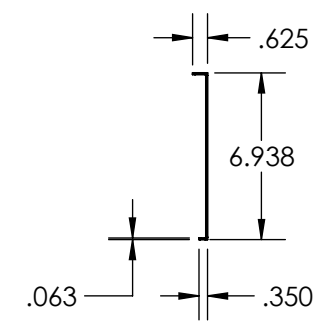
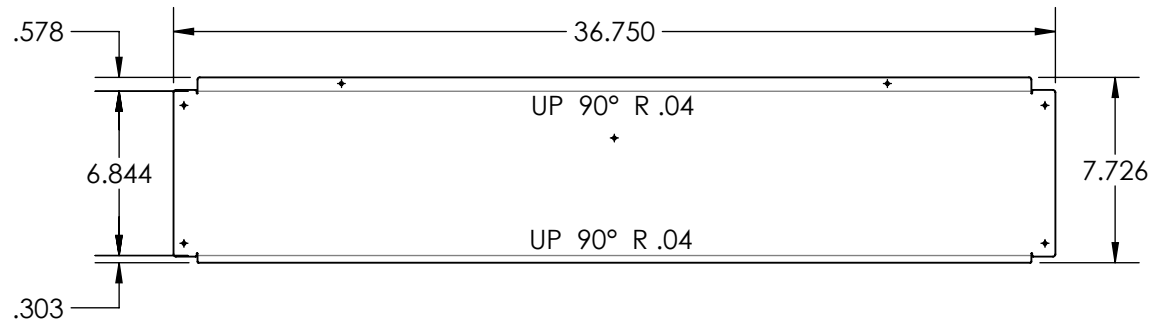
C

B

B

A

A



TITLE:			
BOX PLATE-2			
SIZE	DWG. NO.	REV	
A	IND-DBL-FUVC-EX-36-2L-R1-120V	1	
SCALE: NTS		SHEET 9 OF 10	

FINISH			
SURFACE AREA [sq. in]	570.260	NAME	
DIMENSIONS ARE IN INCHES	DRAWN	SONI	
MATERIAL	304 STAINLESS STEEL	CHECKED	N/A
DO NOT SCALE DRAWING	DATE	12/11/2020	

PROPRIETARY AND CONFIDENTIAL
THE INFORMATION CONTAINED IN THIS DRAWING IS THE SOLE PROPERTY OF LARSON ELECTRONICS LLC. ANY REPRODUCTION IN PART OR AS A WHOLE WITHOUT THE WRITTEN PERMISSION OF LARSON ELECTRONICS LLC IS PROHIBITED.

UNLESS OTHERWISE NOTED:
Angle +/- .5 deg
.X +/- .02
.XX +/- .01
.XXX +/- .005

6

5

4

3

2

1

6

5

4

3

2

1

F

F

E

E

D

D

C

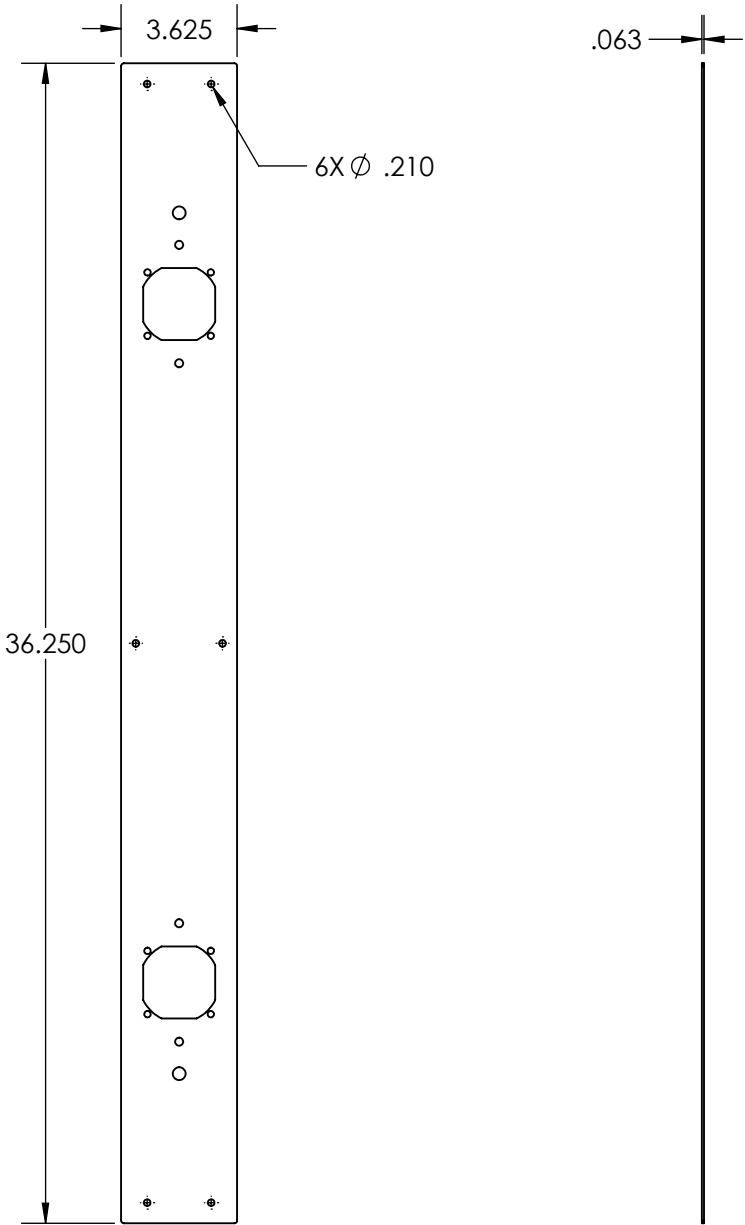
C

B

B

A

A



TITLE:			
COVER PLATE			
SIZE	DWG. NO.	REV	
A	IND-DBL-FUVC-EX-36-2L-R1-120V	1	
SCALE: NTS		SHEET 10 OF 10	

FINISH			
SURFACE AREA [sq. in.]	249.671	NAME	
DIMENSIONS ARE IN INCHES	DRAWN	SONI	
MATERIAL	304 STAINLESS STEEL	CHECKED	N/A
DO NOT SCALE DRAWING	DATE	12/11/2020	

PROPRIETARY AND CONFIDENTIAL
 THE INFORMATION CONTAINED IN THIS DRAWING IS THE SOLE PROPERTY OF LARSON ELECTRONICS LLC. ANY REPRODUCTION IN PART OR AS A WHOLE WITHOUT THE WRITTEN PERMISSION OF LARSON ELECTRONICS LLC IS PROHIBITED.

UNLESS OTHERWISE NOTED:
 Angle +/- .5 deg
 .X +/- .02
 .XX +/- .01
 .XXX +/- .005

6

5

4

3

2

1