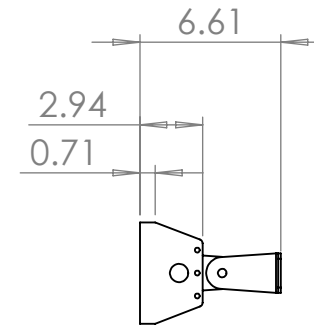
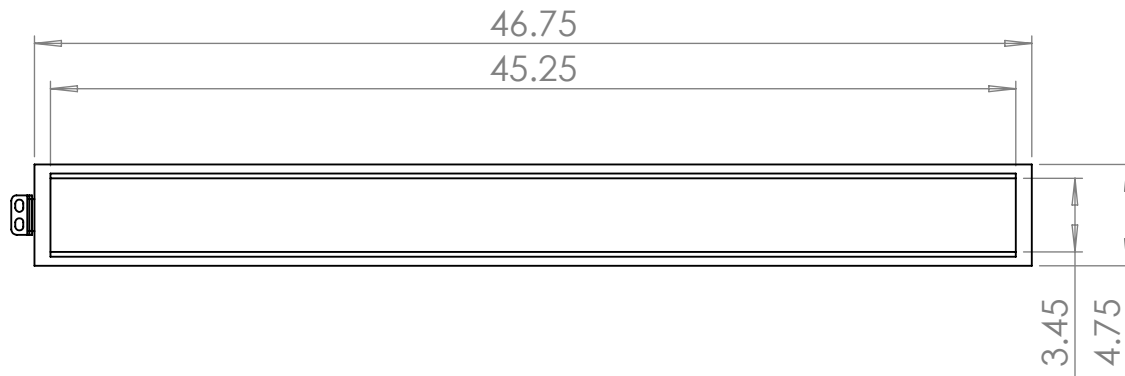
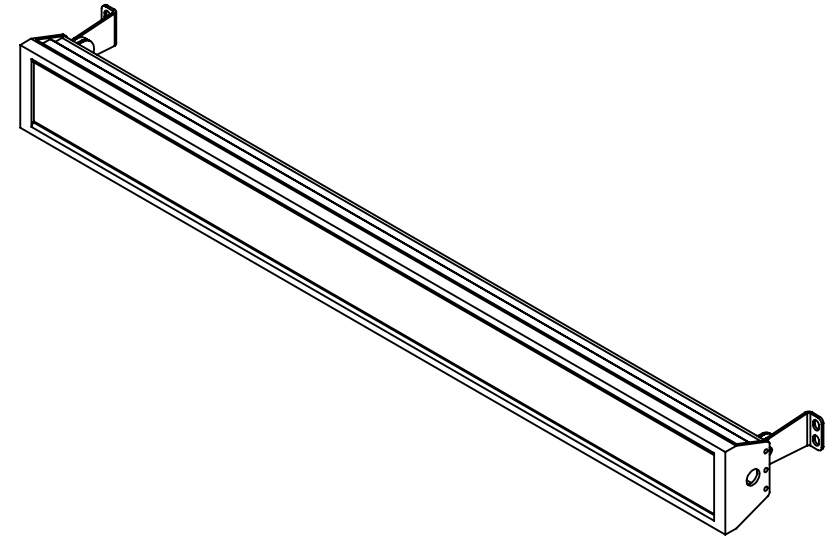
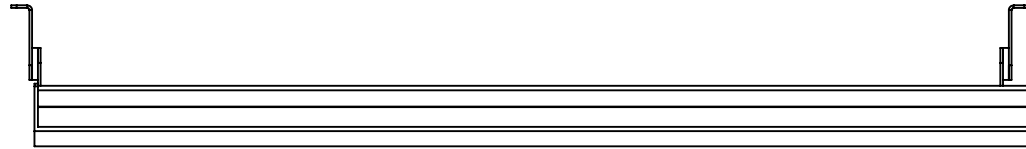


TITLE:
GAU-48-160W-LED-V2

PROPRIETARY AND CONFIDENTIAL
 THE INFORMATION CONTAINED IN THIS DRAWING IS THE SOLE PROPERTY OF LARSON ELECTRONICS LLC. ANY REPRODUCTION IN PART OR AS A WHOLE WITHOUT THE WRITTEN PERMISSION OF LARSON ELECTRONICS LLC IS PROHIBITED.

		NAME			
	DRAWN	Luis Martinez	SIZE	DWG. NO.	REV
	CHECKED	N/A	A		A
	DATE	05/10/2018	SCALE: NTS		SHEET 1 OF 3
DIMENSIONS ARE IN INCHES					
DO NOT SCALE DRAWING					



PROPRIETARY AND CONFIDENTIAL
 THE INFORMATION CONTAINED IN THIS DRAWING IS THE SOLE PROPERTY OF LARSON ELECTRONICS LLC. ANY REPRODUCTION IN PART OR AS A WHOLE WITHOUT THE WRITTEN PERMISSION OF LARSON ELECTRONICS LLC IS PROHIBITED.

DIMENSIONS ARE IN INCHES		DRAWN		Luis Martinez		TITLE:		GAU-48-160W-LED-V2	
DO NOT SCALE DRAWING		CHECKED		N/A		SIZE		A	
		DATE		05/10/2018		DWG. NO.		REV	
						SCALE: NTS		SHEET 2 OF 3	

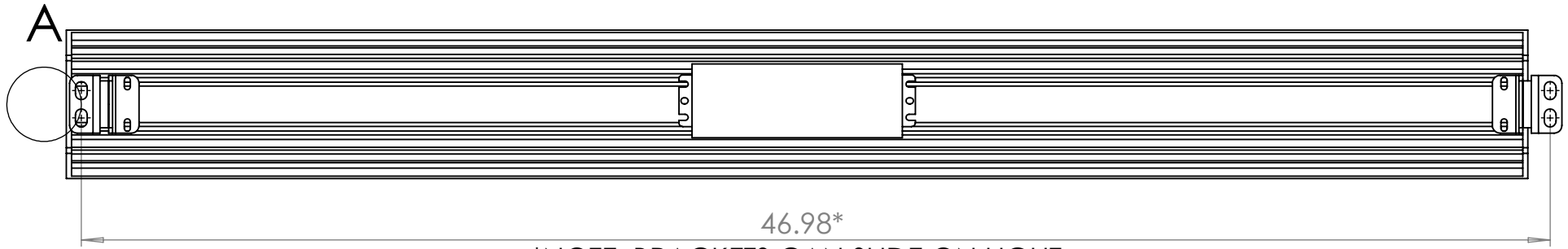
5

4

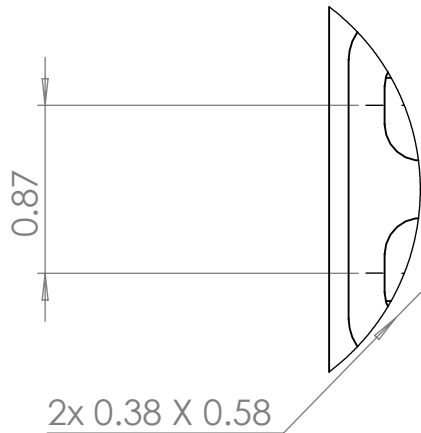
3

2

1



46.98*
 *NOTE: BRACKETS CAN SLIDE ON LIGHT;
 DISTANCE CAN VARY FROM 11.25 TO 48.17



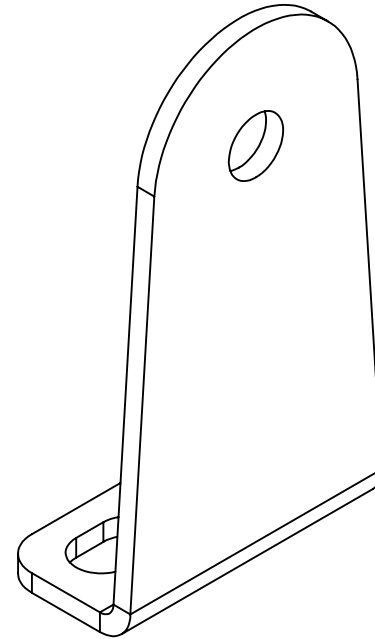
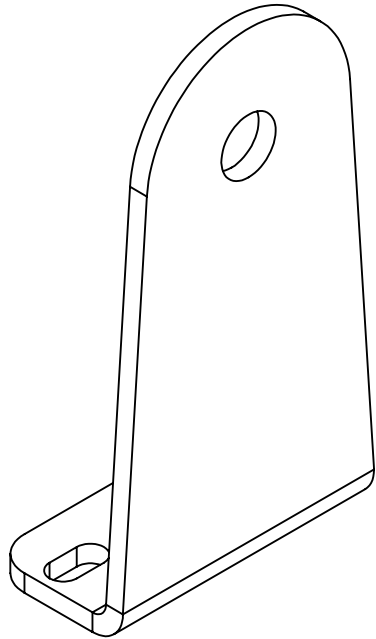
DETAIL A
 SCALE 1 : 1



PROPRIETARY AND CONFIDENTIAL
 THE INFORMATION CONTAINED IN THIS DRAWING IS THE SOLE PROPERTY OF LARSON ELECTRONICS LLC. ANY REPRODUCTION IN PART OR AS A WHOLE WITHOUT THE WRITTEN PERMISSION OF LARSON ELECTRONICS LLC IS PROHIBITED.

TITLE:
GAU-48-160W-LED-V2

		NAME			
	DRAWN	Luis Martinez	SIZE	DWG. NO.	REV
	CHECKED	N/A	A		A
DIMENSIONS ARE IN INCHES	DATE	05/10/2018	SCALE: NTS		SHEET 3 OF 3
DO NOT SCALE DRAWING					

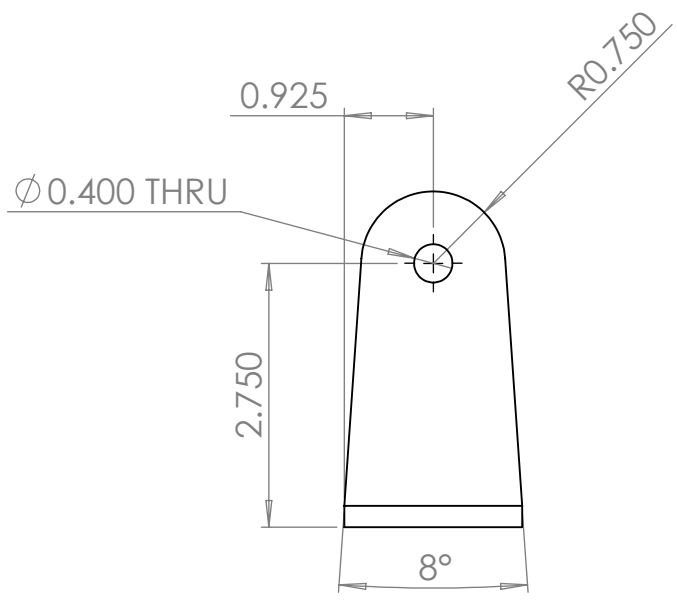
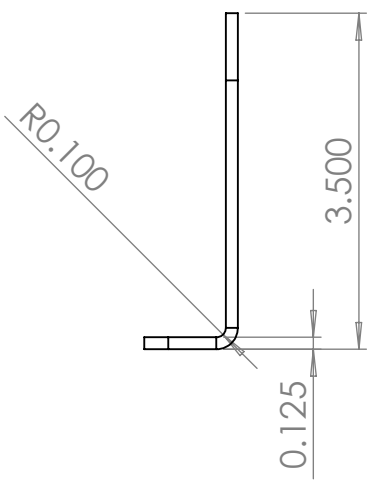
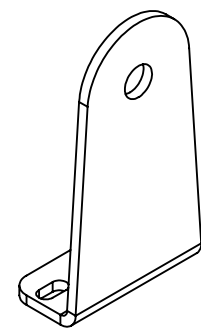
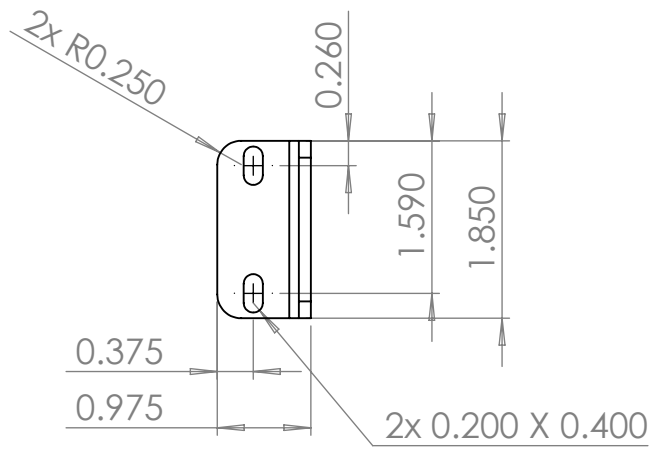


PROPRIETARY AND CONFIDENTIAL
 THE INFORMATION CONTAINED IN THIS DRAWING IS THE SOLE PROPERTY OF LARSON ELECTRONICS LLC. ANY REPRODUCTION IN PART OR AS A WHOLE WITHOUT THE WRITTEN PERMISSION OF LARSON ELECTRONICS LLC IS PROHIBITED.

TITLE:		GAU-48-160W-LED Brackets		REV	00
SIZE	DWG. NO.				
A					
SCALE: NTS					SHEET 1 OF 5

		NAME	
DRAWN	Luis Martinez		
CHECKED	N/A		
DATE	01/11/2018		

DIMENSIONS ARE IN INCHES
 DO NOT SCALE DRAWING



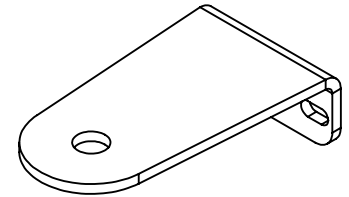
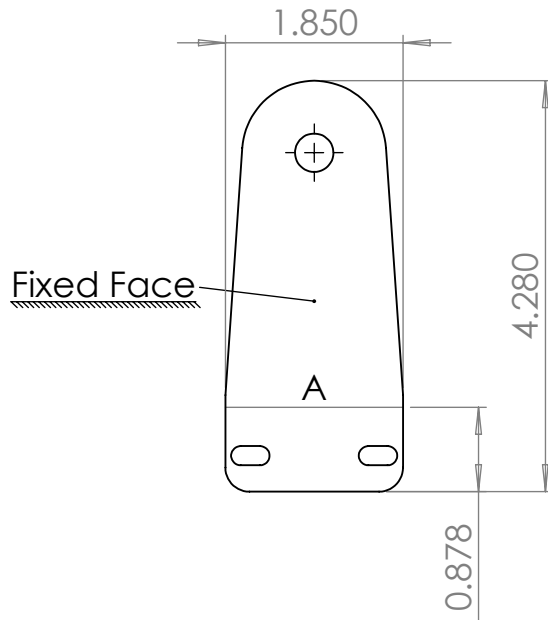
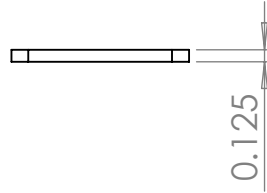
PROPRIETARY AND CONFIDENTIAL
 THE INFORMATION CONTAINED IN THIS DRAWING IS THE SOLE PROPERTY OF LARSON ELECTRONICS LLC. ANY REPRODUCTION IN PART OR AS A WHOLE WITHOUT THE WRITTEN PERMISSION OF LARSON ELECTRONICS LLC IS PROHIBITED.

UNLESS OTHERWISE NOTED:
 Angle +/- .5 deg
 .X +/- .02
 .XX +/- .01
 .XXX +/- .005

FINISH	Brushed		
SURFACE AREA [sq. in]		15.1609	NAME
DIMENSIONS ARE IN INCHES		DRAWN	Luis Martinez
MATERIAL	6061-T6 (SS)	CHECKED	N/A
DO NOT SCALE DRAWING		DATE	01/11/2018

TITLE:		
GAU-48-160W-LED Bracket A		
SIZE	DWG. NO.	REV
A		00
SCALE: NTS		SHEET 2 OF 5

Tag	Direction	Angle	Inner Radius
A	UP	90°	0.1

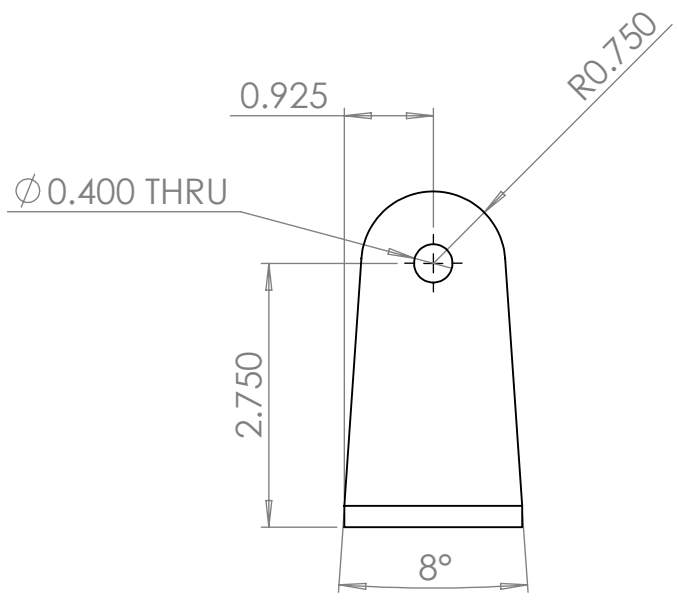
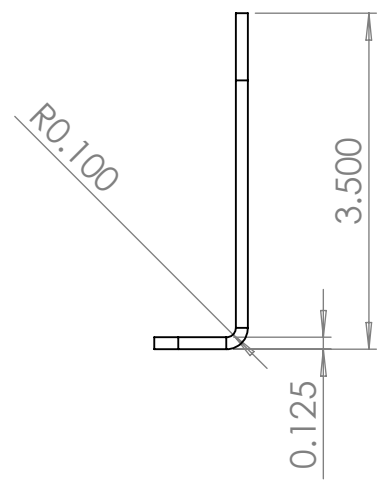
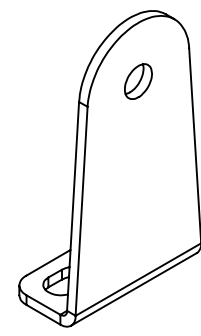
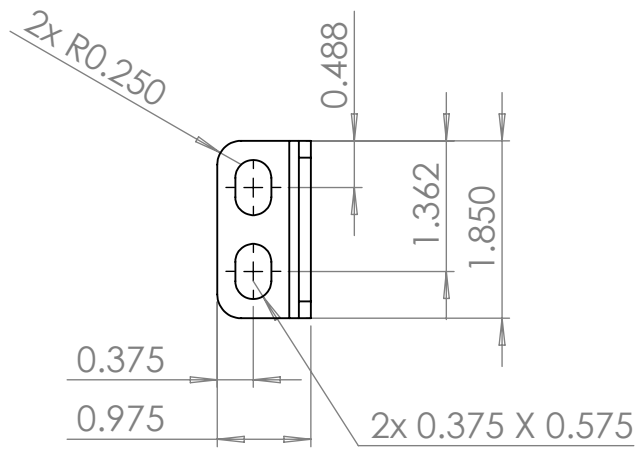


FINISH	Brushed		
SURFACE AREA [sq. in.]		15.1609	NAME
DIMENSIONS ARE IN INCHES		DRAWN	Luis Martinez
MATERIAL	6061-T6 (SS)	CHECKED	N/A
DO NOT SCALE DRAWING		DATE	01/11/2018

TITLE:		
GAU-48-160W-LED Bracket A		
SIZE A	DWG. NO.	REV 00
SCALE: NTS		SHEET 3 OF 5

PROPRIETARY AND CONFIDENTIAL
 THE INFORMATION CONTAINED IN THIS DRAWING IS THE SOLE PROPERTY OF LARSON ELECTRONICS LLC. ANY REPRODUCTION IN PART OR AS A WHOLE WITHOUT THE WRITTEN PERMISSION OF LARSON ELECTRONICS LLC IS PROHIBITED.

UNLESS OTHERWISE NOTED:
 Angle +/- .5 deg
 .X +/- .02
 .XX +/- .01
 .XXX +/- .005



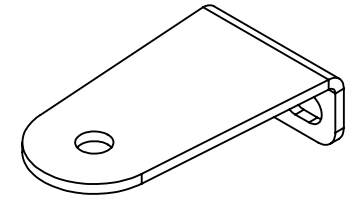
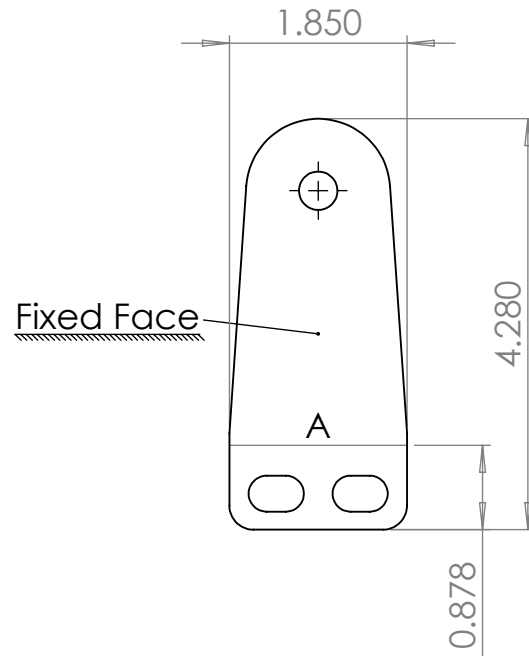
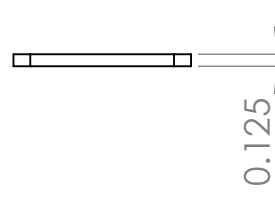
PROPRIETARY AND CONFIDENTIAL
 THE INFORMATION CONTAINED IN THIS DRAWING IS THE SOLE PROPERTY OF LARSON ELECTRONICS LLC. ANY REPRODUCTION IN PART OR AS A WHOLE WITHOUT THE WRITTEN PERMISSION OF LARSON ELECTRONICS LLC IS PROHIBITED.

UNLESS OTHERWISE NOTED:
 Angle +/- .5 deg
 .X +/- .02
 .XX +/- .01
 .XXX +/- .005

FINISH	Brushed		
SURFACE AREA [sq. in.]		14.8422	NAME
DIMENSIONS ARE IN INCHES		DRAWN	Luis Martinez
MATERIAL	6061-T6 (SS)	CHECKED	N/A
DO NOT SCALE DRAWING		DATE	01/11/2018

TITLE:			
GAU-48-160W- LED Bracket B			
SIZE	DWG. NO.	REV	
A		00	
SCALE: NTS		SHEET 4 OF 5	

Tag	Direction	Angle	Inner Radius
A	UP	90°	0.1



TITLE:		
GAU-48-160W- LED Bracket B		
SIZE	DWG. NO.	REV
A		00
SCALE: NTS		SHEET 5 OF 5

FINISH	Brushed		
SURFACE AREA [sq. in]		14.8422	NAME
DIMENSIONS ARE IN INCHES		DRAWN	Luis Martinez
MATERIAL	6061-T6 (SS)	CHECKED	N/A
DO NOT SCALE DRAWING		DATE	01/11/2018

PROPRIETARY AND CONFIDENTIAL
 THE INFORMATION CONTAINED IN THIS DRAWING IS THE SOLE PROPERTY OF LARSON ELECTRONICS LLC. ANY REPRODUCTION IN PART OR AS A WHOLE WITHOUT THE WRITTEN PERMISSION OF LARSON ELECTRONICS LLC IS PROHIBITED.

UNLESS OTHERWISE NOTED:
 Angle +/- .5 deg
 .X +/- .02
 .XX +/- .01
 .XXX +/- .005

5

4

3

2

1