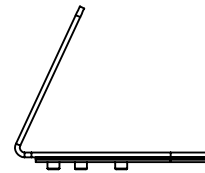
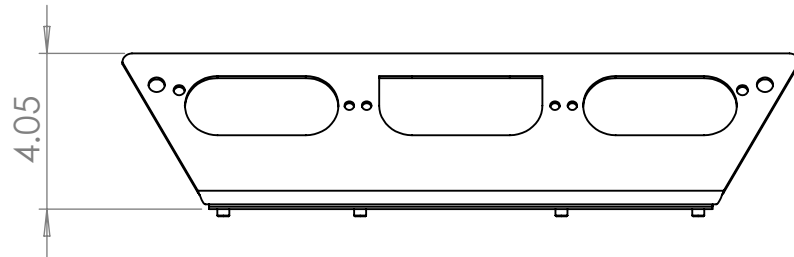
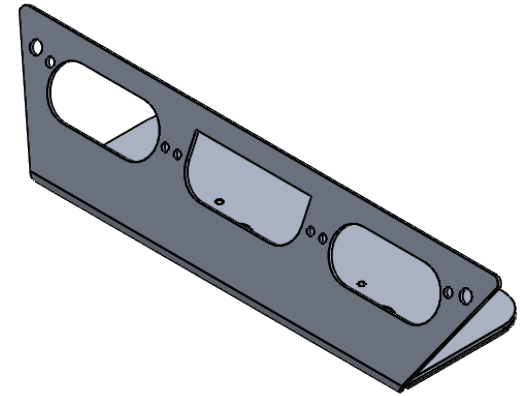
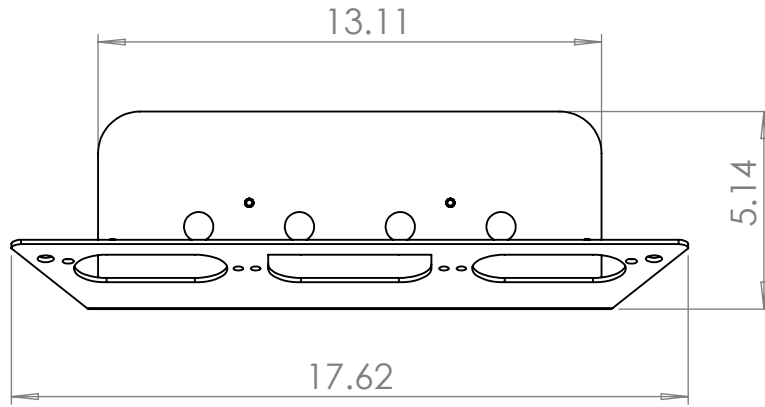


PROPRIETARY AND CONFIDENTIAL
 THE INFORMATION CONTAINED IN THIS DRAWING IS THE SOLE PROPERTY OF LARSON ELECTRONICS LLC. ANY REPRODUCTION IN PART OR AS A WHOLE WITHOUT THE WRITTEN PERMISSION OF LARSON ELECTRONICS LLC IS PROHIBITED.

| | | | | | |
|------------|----------|--|--------------------------|--|--|
| TITLE: | | | VMP-MAM-F150-2018 | | |
| SIZE | DWG. NO. | | REV | | |
| A | | | A | | |
| SCALE: NTS | | | SHEET 1 OF 3 | | |

| | | |
|--------------------------|------|-----------|
| DIMENSIONS ARE IN INCHES | | |
| DO NOT SCALE DRAWING | DATE | 3/29/2018 |



PROPRIETARY AND CONFIDENTIAL
 THE INFORMATION CONTAINED IN THIS DRAWING IS THE SOLE PROPERTY OF LARSON ELECTRONICS LLC. ANY REPRODUCTION IN PART OR AS A WHOLE WITHOUT THE WRITTEN PERMISSION OF LARSON ELECTRONICS LLC IS PROHIBITED.

UNLESS OTHERWISE NOTED:

Angle +/- .5 deg
 .X +/- .02
 .XX +/- .01
 .XXX +/- .005

| | | | |
|--------------------------|-------------|---------|-----------|
| FINISH | Powder Coat | | |
| SURFACE AREA [sq. in] | | 479.37 | NAME |
| DIMENSIONS ARE IN INCHES | | DRAWN | |
| MATERIAL | | CHECKED | |
| DO NOT SCALE DRAWING | | DATE | 3/29/2018 |

| | | |
|--------------------------|----------|--------------|
| TITLE: | | |
| VMP-MAM-F150-2018 | | |
| SIZE | DWG. NO. | REV |
| A | | A |
| SCALE: NTS | | SHEET 2 OF 3 |

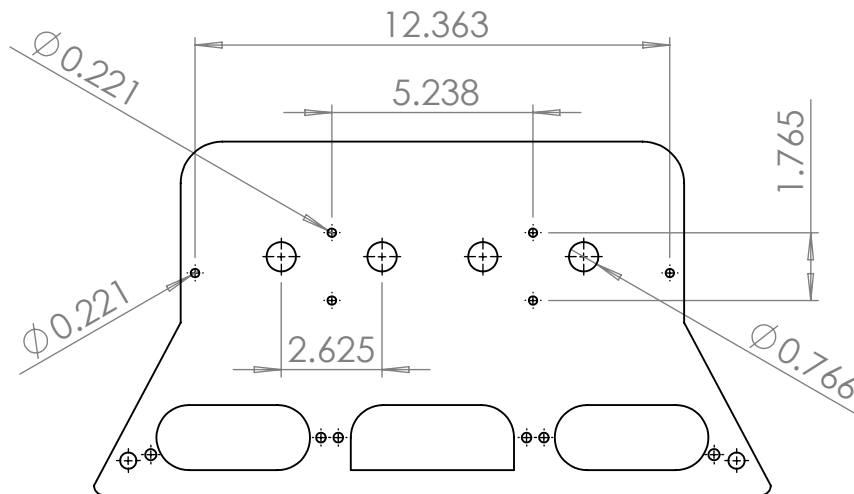
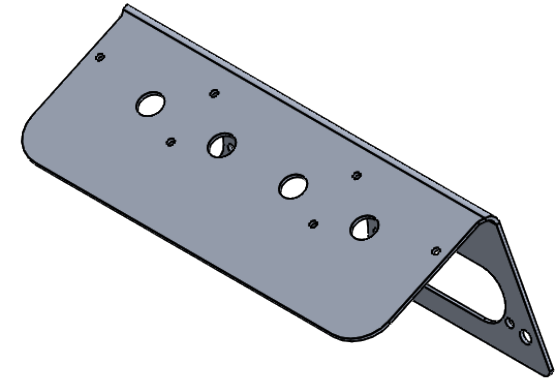
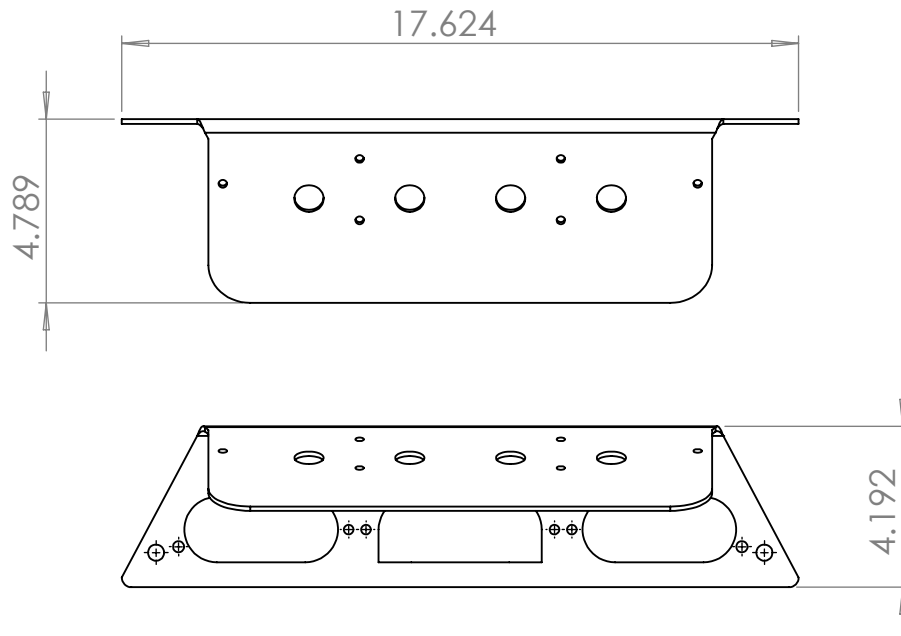
5

4

3

2

1



PROPRIETARY AND CONFIDENTIAL
 THE INFORMATION CONTAINED IN THIS DRAWING IS THE SOLE PROPERTY OF LARSON ELECTRONICS LLC. ANY REPRODUCTION IN PART OR AS A WHOLE WITHOUT THE WRITTEN PERMISSION OF LARSON ELECTRONICS LLC IS PROHIBITED.

UNLESS OTHERWISE NOTED:

Angle +/- .5 deg
 .X +/- .02
 .XX +/- .01
 .XXX +/- .005

| | | | |
|--------------------------|-------------|---------|-----------|
| FINISH | Powder Coat | | |
| SURFACE AREA [sq. in] | | 479.37 | NAME |
| DIMENSIONS ARE IN INCHES | | DRAWN | |
| MATERIAL | | CHECKED | |
| DO NOT SCALE DRAWING | | DATE | 3/29/2018 |

| | | | |
|--------------------------|----------|--------------|--|
| TITLE: | | | |
| VMP-MAM-F150-2018 | | | |
| SIZE | DWG. NO. | REV | |
| A | | A | |
| SCALE: NTS | | SHEET 3 OF 3 | |

5

4

3

2

1