

TITLE:
**VMP-AM-FSD-
F550-2018**

PROPRIETARY AND CONFIDENTIAL
THE INFORMATION CONTAINED IN THIS DRAWING IS THE SOLE PROPERTY OF LARSON ELECTRONICS LLC. ANY REPRODUCTION IN PART OR AS A WHOLE WITHOUT THE WRITTEN PERMISSION OF LARSON ELECTRONICS LLC IS PROHIBITED.

| | | | | | | |
|--------------------------|--|------|------------|----------|----------|--------------|
| DIMENSIONS ARE IN INCHES | | | | SIZE | DWG. NO. | REV |
| DO NOT SCALE DRAWING | | DATE | 3/29/2018 | A | | A |
| | | | SCALE: NTS | | | SHEET 1 OF 3 |

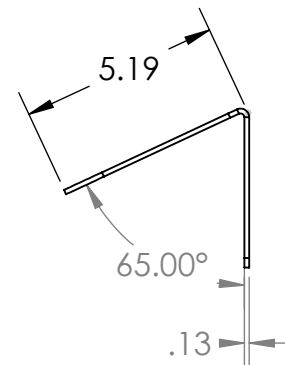
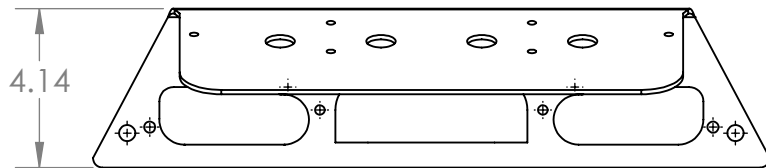
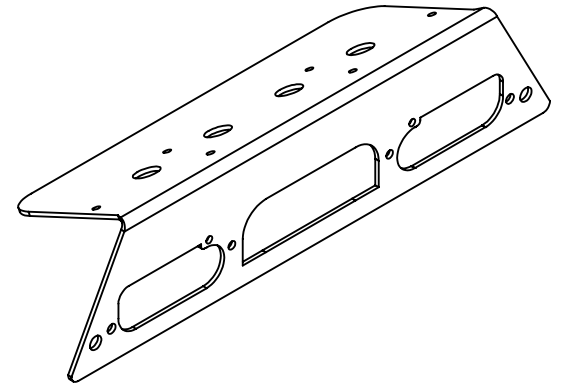
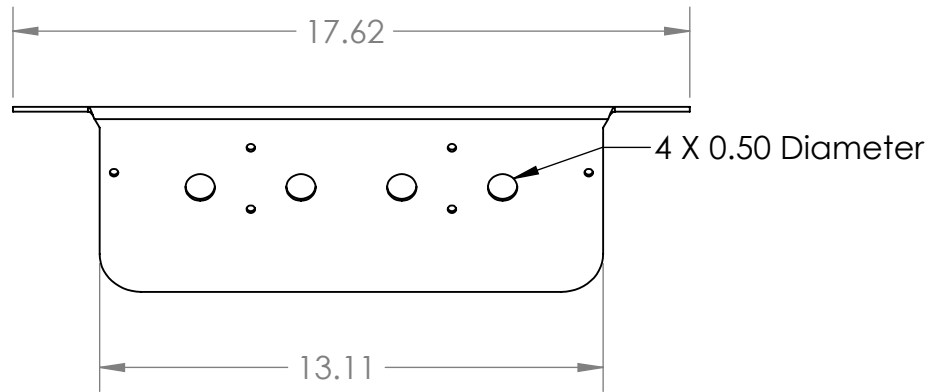
5

4

3

2

1



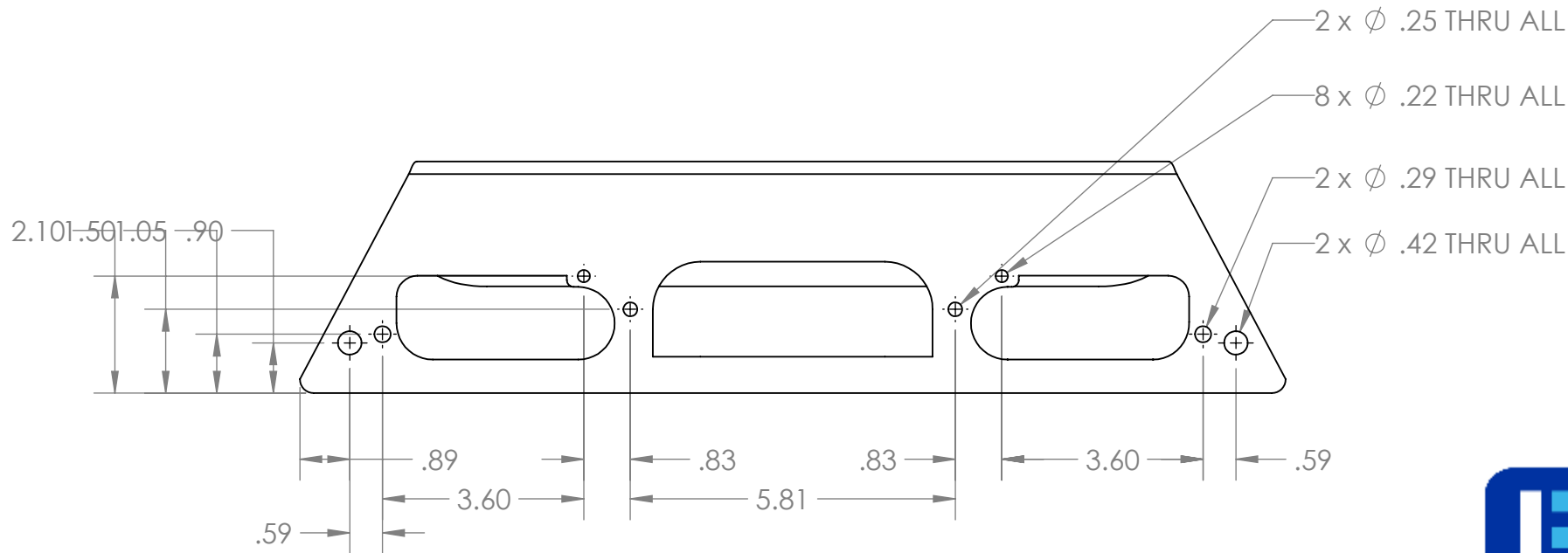
PROPRIETARY AND CONFIDENTIAL
 THE INFORMATION CONTAINED IN THIS DRAWING IS THE SOLE PROPERTY OF LARSON ELECTRONICS LLC. ANY REPRODUCTION IN PART OR AS A WHOLE WITHOUT THE WRITTEN PERMISSION OF LARSON ELECTRONICS LLC IS PROHIBITED.

UNLESS OTHERWISE NOTED:

Angle +/- .5 deg
 .X +/- .02
 .XX +/- .01
 .XXX +/- .005

| | | | |
|--------------------------|--------------|---------|---------------|
| FINISH | Powder Coat | | |
| SURFACE AREA [sq. in] | | 231.47 | NAME |
| DIMENSIONS ARE IN INCHES | | DRAWN | Luis Martinez |
| MATERIAL | 6061-T6 (SS) | CHECKED | |
| DO NOT SCALE DRAWING | | DATE | 3/29/2018 |

| | | |
|-----------------------------|----------|--------------|
| TITLE: | | |
| VMP-AM-FSD-F550-2018 | | |
| SIZE | DWG. NO. | REV |
| A | | A |
| SCALE: NTS | | SHEET 2 OF 3 |



TITLE:
**VMP-AM-FSD-
 F550-2018**

| | | | |
|--------------------------|--------------|---------|---------------|
| FINISH | Powder Coat | | |
| SURFACE AREA [sq. in.] | | 231.47 | NAME |
| DIMENSIONS ARE IN INCHES | | DRAWN | Luis Martinez |
| MATERIAL | 6061-T6 (SS) | CHECKED | |
| DO NOT SCALE DRAWING | | DATE | 3/29/2018 |

| | | |
|------------|----------|--------------|
| SIZE | DWG. NO. | REV |
| A | | A |
| SCALE: NTS | | SHEET 3 OF 3 |

PROPRIETARY AND CONFIDENTIAL
 THE INFORMATION CONTAINED IN THIS DRAWING IS THE SOLE PROPERTY OF LARSON ELECTRONICS LLC. ANY REPRODUCTION IN PART OR AS A WHOLE WITHOUT THE WRITTEN PERMISSION OF LARSON ELECTRONICS LLC IS PROHIBITED.

UNLESS OTHERWISE NOTED:

Angle +/- .5 deg
 .X +/- .02
 .XX +/- .01
 .XXX +/- .005