

PROPRIETARY AND CONFIDENTIAL
 THE INFORMATION CONTAINED IN THIS DRAWING IS THE SOLE PROPERTY OF LARSON ELECTRONICS LLC. ANY REPRODUCTION IN PART OR AS A WHOLE WITHOUT THE WRITTEN PERMISSION OF LARSON ELECTRONICS LLC IS PROHIBITED.

TITLE:				
SL-M				
NAME		SIZE	DWG. NO.	REV
JOSH DREDLA		A		
MATERIAL		CHECKED	JEREMY BLANKENSHIP	
DO NOT SCALE DRAWING		SCALE: 1:2		SHEET 1 OF 2

5

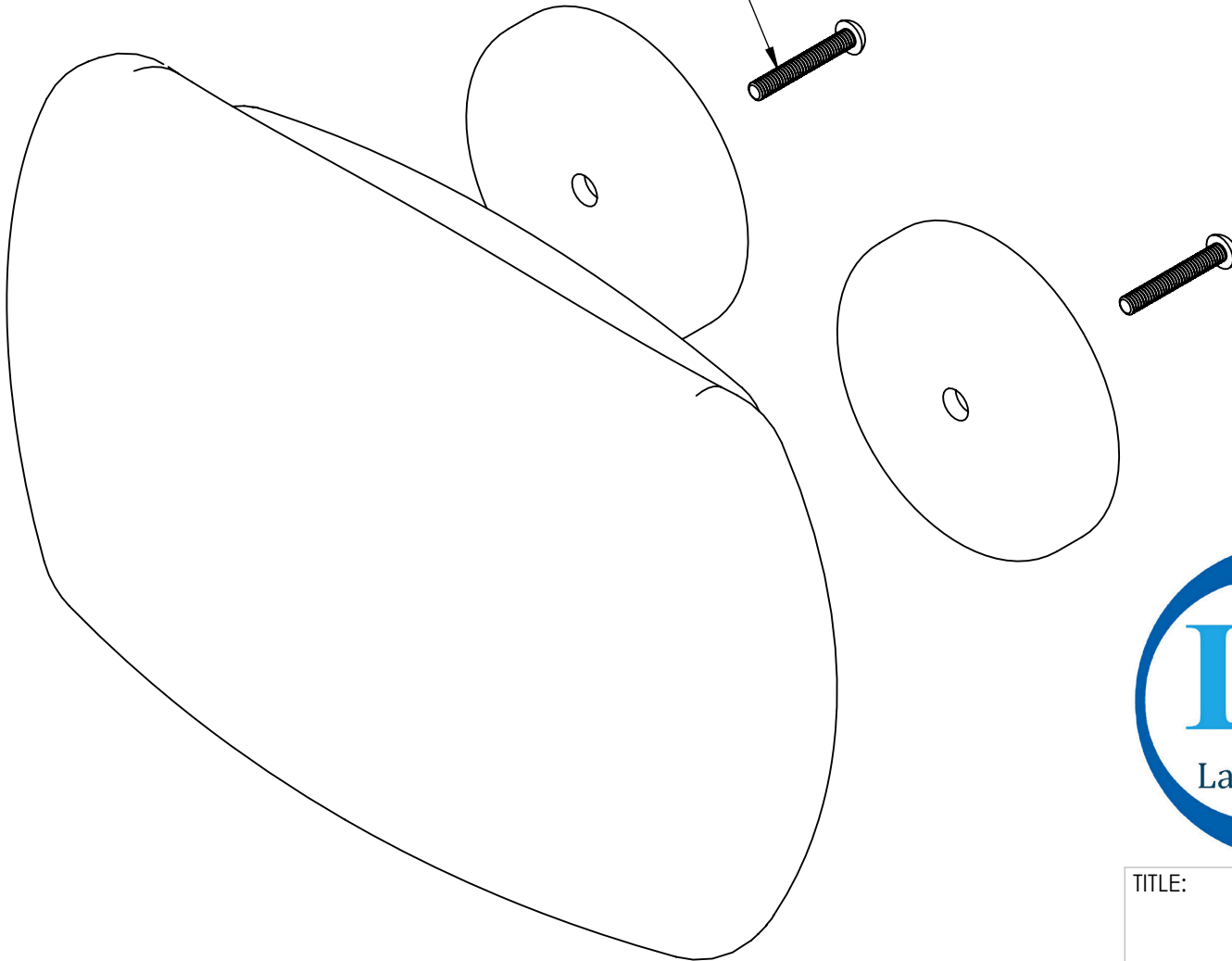
4

3

2

1

#4-48x.75



TITLE:

PROPRIETARY AND CONFIDENTIAL
THE INFORMATION CONTAINED IN THIS DRAWING IS THE SOLE PROPERTY OF LARSON ELECTRONICS LLC. ANY REPRODUCTION IN PART OR AS A WHOLE WITHOUT THE WRITTEN PERMISSION OF LARSON ELECTRONICS LLC IS PROHIBITED.

DIMENSIONS ARE IN INCHES		DRAWN	NAME		SIZE	DWG. NO.	REV
MATERIAL		CHECKED	JOSH DREDLA		A		
DO NOT SCALE DRAWING			JEREMY BLANKENSHIP				
					SCALE: 1:1	SHEET 2 OF 2	

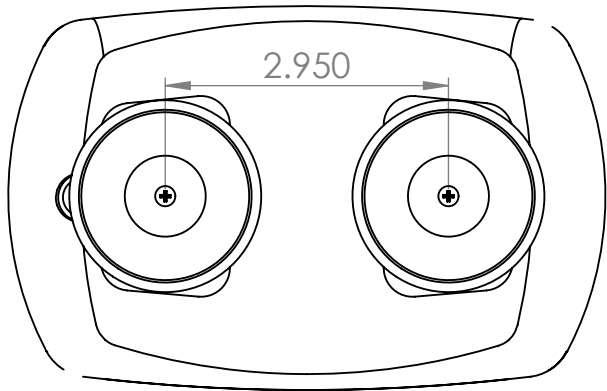
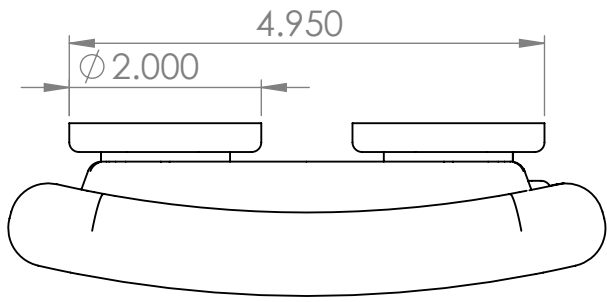
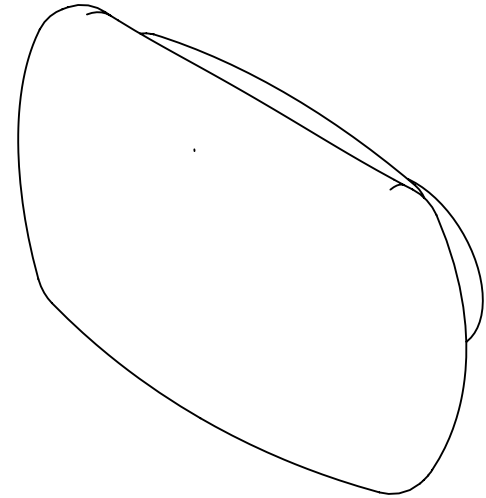
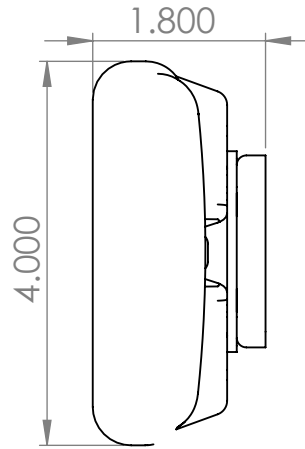
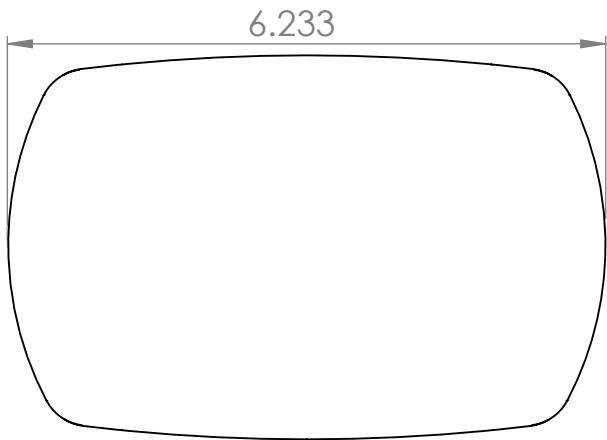
5

4

3

2

1



PROPRIETARY AND CONFIDENTIAL
 THE INFORMATION CONTAINED IN THIS DRAWING IS THE SOLE PROPERTY OF LARSON ELECTRONICS LLC. ANY REPRODUCTION IN PART OR AS A WHOLE WITHOUT THE WRITTEN PERMISSION OF LARSON ELECTRONICS LLC IS PROHIBITED.

TITLE:		SL-M		
NAME		JOSH DREDLA		
DIMENSIONS ARE IN MILLIMETERS		DRAWN		REV
MATERIAL		CHECKED		
DO NOT SCALE DRAWING				
SCALE: 1:2		SHEET 1 OF 2		

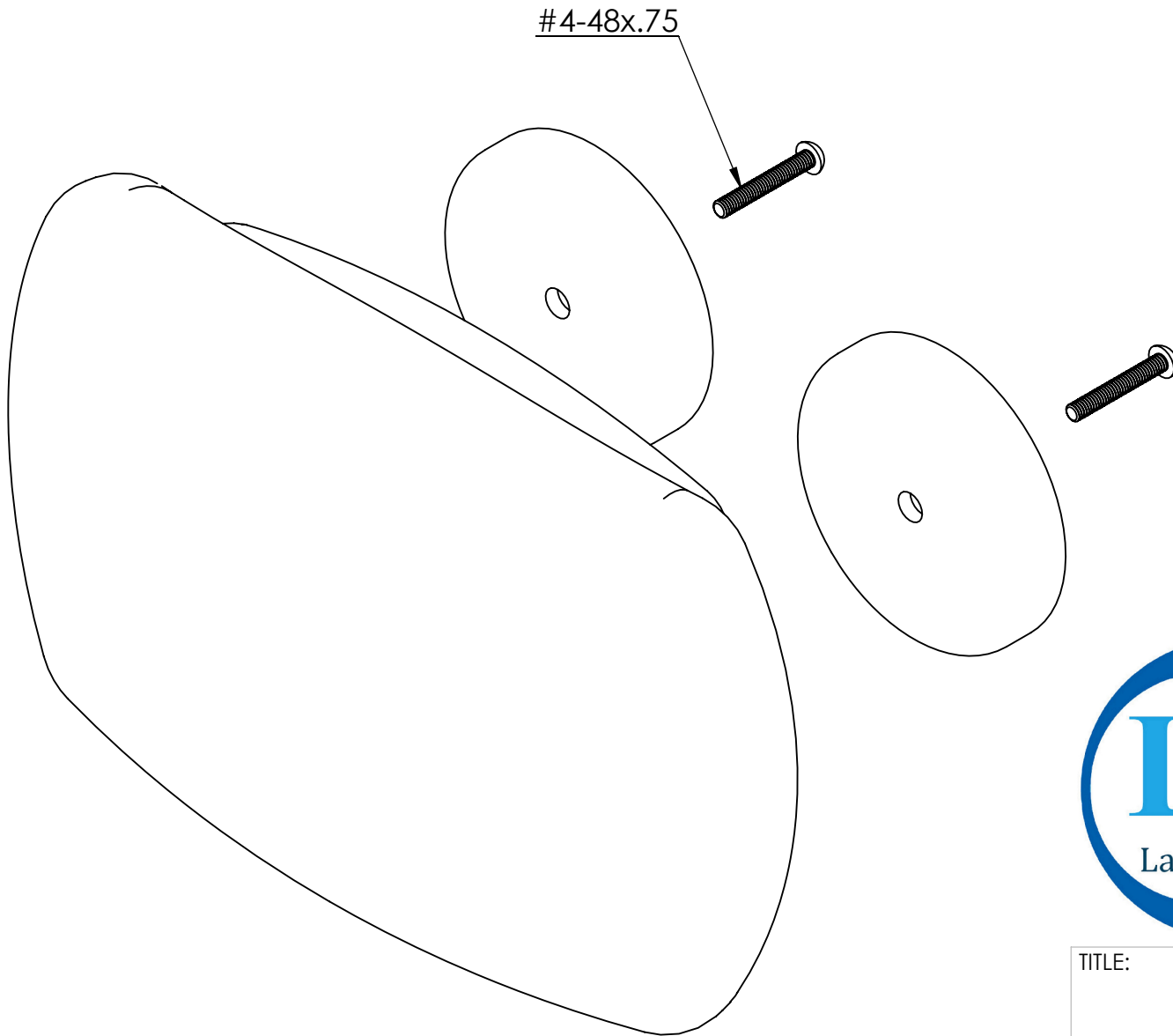
5

4

3

2

1



TITLE:

PROPRIETARY AND CONFIDENTIAL
 THE INFORMATION CONTAINED IN THIS DRAWING IS THE SOLE PROPERTY OF LARSON ELECTRONICS LLC. ANY REPRODUCTION IN PART OR AS A WHOLE WITHOUT THE WRITTEN PERMISSION OF LARSON ELECTRONICS LLC IS PROHIBITED.

DIMENSIONS ARE IN MILLIMETERS		DRAWN	NAME	SIZE	DWG. NO.	REV
MATERIAL		CHECKED	JOSH DREDLA	A		
DO NOT SCALE DRAWING			JEREMY BLANKENSHIP			
				SCALE: 1:1	SHEET 2 OF 2	

5

4

3

2

1