

TITLE:
LM-30-8.75-5S-4X2000W-MOD1

PROPRIETARY AND CONFIDENTIAL
THE INFORMATION CONTAINED IN THIS DRAWING IS THE SOLE PROPERTY OF LARSON ELECTRONICS LLC. ANY REPRODUCTION IN PART OR AS A WHOLE WITHOUT THE WRITTEN PERMISSION OF LARSON ELECTRONICS LLC IS PROHIBITED.

UNLESS OTHERWISE NOTED:
Angle +/- .5 deg
.X +/- .02
.XX +/- .01
.XXX +/- .005

FINISH		NAME	
SURFACE AREA [sq. in]		DRAWN	CHRISTOPHER THAUER
DIMENSIONS ARE IN INCHES		CHECKED	N/A
MATERIAL		DATE	9/14/2018
DO NOT SCALE DRAWING			

SIZE	DWG. NO.	REV
A		
SCALE: NTS		SHEET 1 OF 3

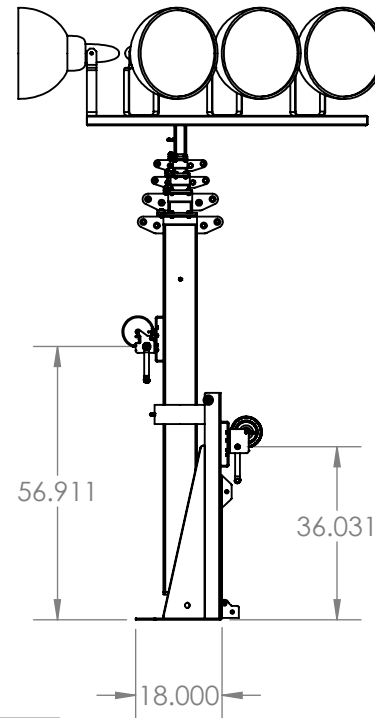
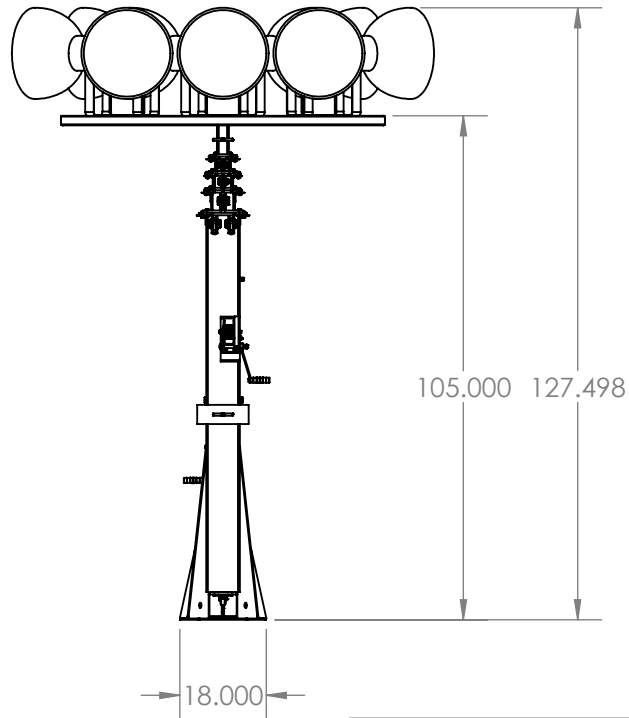
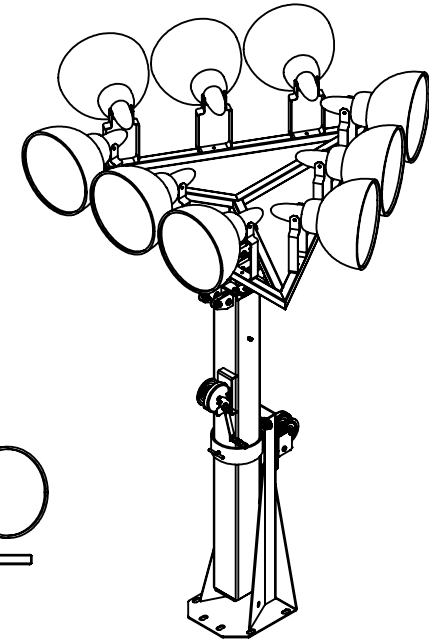
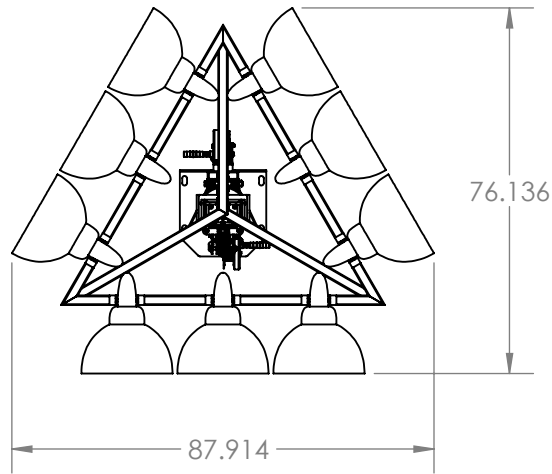
5

4

3

2

1



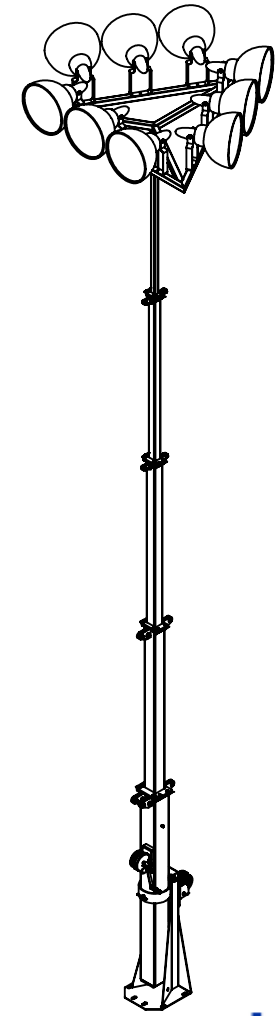
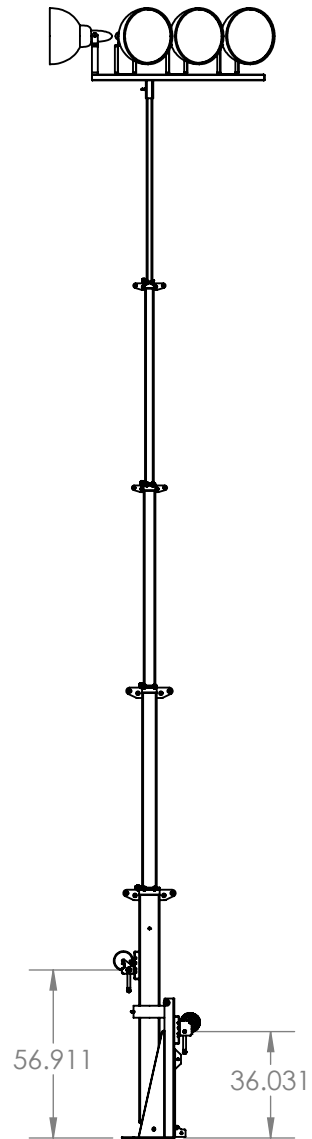
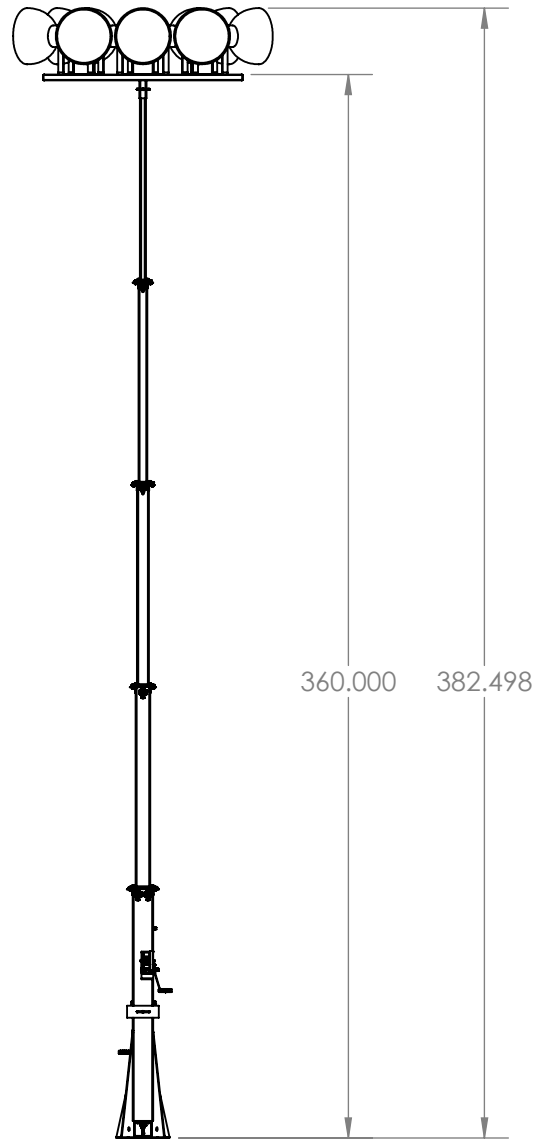
TITLE:
LM-30-8.75-5S-4X2000W-MOD1

PROPRIETARY AND CONFIDENTIAL
THE INFORMATION CONTAINED IN THIS DRAWING IS THE SOLE PROPERTY OF LARSON ELECTRONICS LLC. ANY REPRODUCTION IN PART OR AS A WHOLE WITHOUT THE WRITTEN PERMISSION OF LARSON ELECTRONICS LLC IS PROHIBITED.

UNLESS OTHERWISE NOTED:
Angle +/- .5 deg
.X +/- .02
.XX +/- .01
.XXX +/- .005

FINISH		NAME	
SURFACE AREA [sq. in.]		DRAWN	CHRISTOPHER THAUER
DIMENSIONS ARE IN INCHES		CHECKED	N/A
MATERIAL		DATE	9/14/2018
DO NOT SCALE DRAWING			

SIZE	DWG. NO.	REV
A		
SCALE: NTS		SHEET 2 OF 3



TITLE:
LM-30-8.75-5S-4X2000W-MOD1

PROPRIETARY AND CONFIDENTIAL
THE INFORMATION CONTAINED IN THIS DRAWING IS THE SOLE PROPERTY OF LARSON ELECTRONICS LLC. ANY REPRODUCTION IN PART OR AS A WHOLE WITHOUT THE WRITTEN PERMISSION OF LARSON ELECTRONICS LLC IS PROHIBITED.

UNLESS OTHERWISE NOTED:
Angle +/- .5 deg
.X +/- .02
.XX +/- .01
.XXX +/- .005

FINISH		NAME
SURFACE AREA [sq. in.]		DRAWN CHRISTOPHER THAUER
DIMENSIONS ARE IN INCHES		CHECKED N/A
MATERIAL		DATE 9/14/2018
DO NOT SCALE DRAWING		

SIZE A	DWG. NO.	REV
SCALE: NTS		SHEET 3 OF 3