

PART NUMBER:
EPFDS-30A-3P-
3X30A.250V

SIZE		REV
A		
SCALE: NTS		SHEET 1 OF 2

PROPRIETARY AND CONFIDENTIAL
 THE INFORMATION CONTAINED IN THIS DRAWING IS THE SOLE PROPERTY OF LARSON ELECTRONICS LLC. ANY REPRODUCTION IN PART OR AS A WHOLE WITHOUT THE WRITTEN PERMISSION OF LARSON ELECTRONICS LLC IS PROHIBITED.

DIMENSIONS ARE IN INCHES		
DO NOT SCALE DRAWING	DATE	

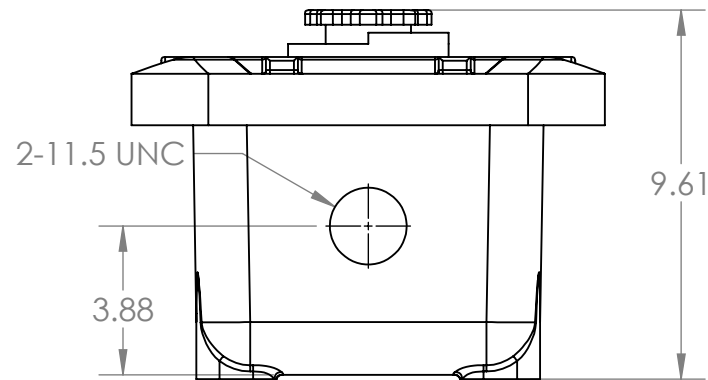
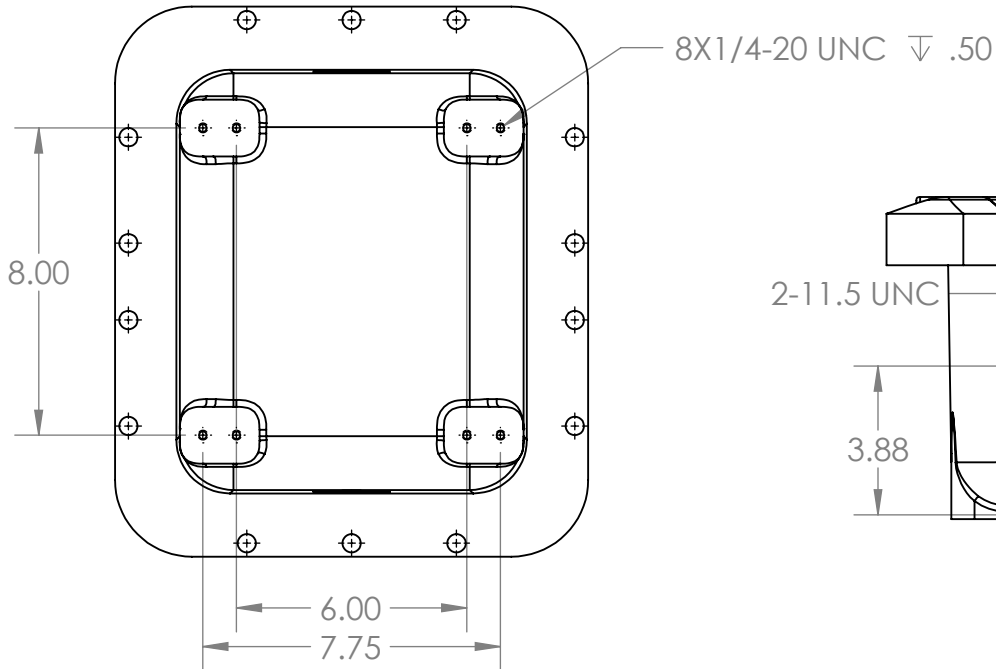
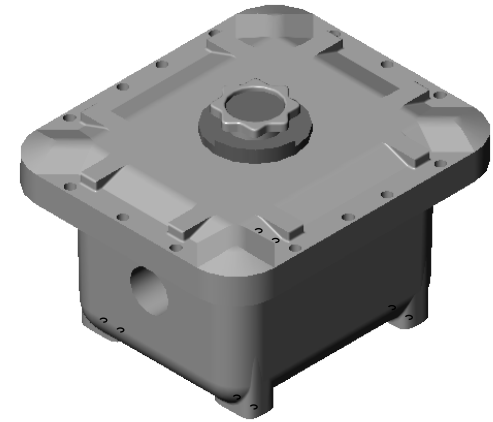
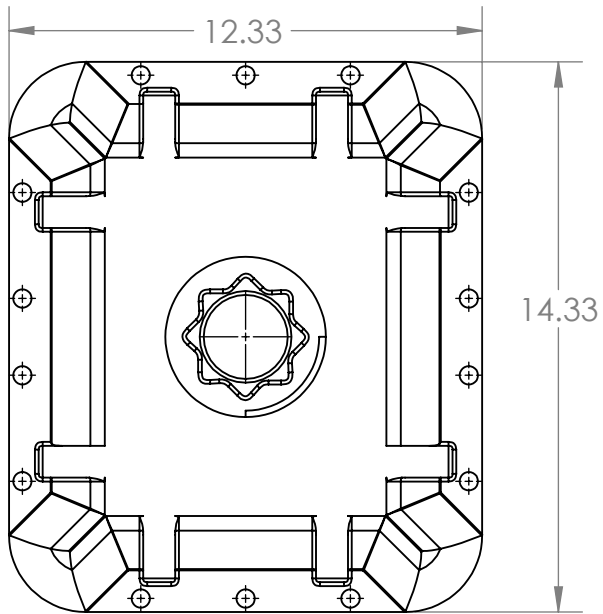
5

4

3

2

1



PART NUMBER:
**EPFDS-30A-3P-
 3X30A.250V**

PROPRIETARY AND CONFIDENTIAL
 THE INFORMATION CONTAINED IN THIS DRAWING IS THE SOLE PROPERTY OF LARSON ELECTRONICS LLC. ANY REPRODUCTION IN PART OR AS A WHOLE WITHOUT THE WRITTEN PERMISSION OF LARSON ELECTRONICS LLC IS PROHIBITED.

DIMENSIONS ARE IN INCHES					
DO NOT SCALE DRAWING	DATE				
5	4	3	2	1	

SIZE
A

SCALE: NTS

REV

SHEET 2 OF 2