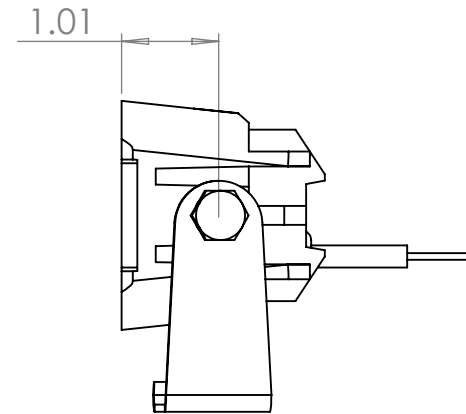
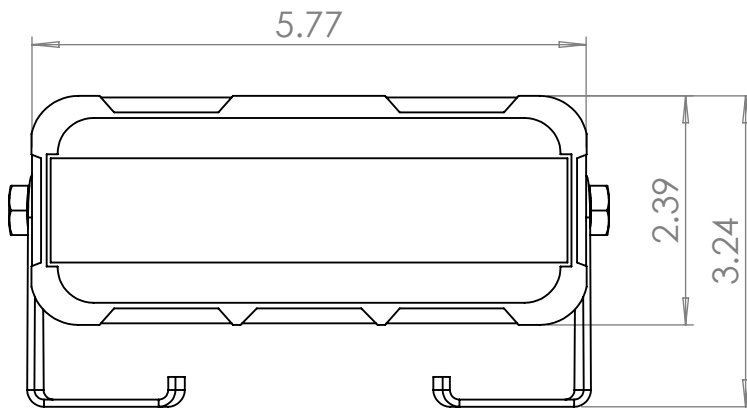
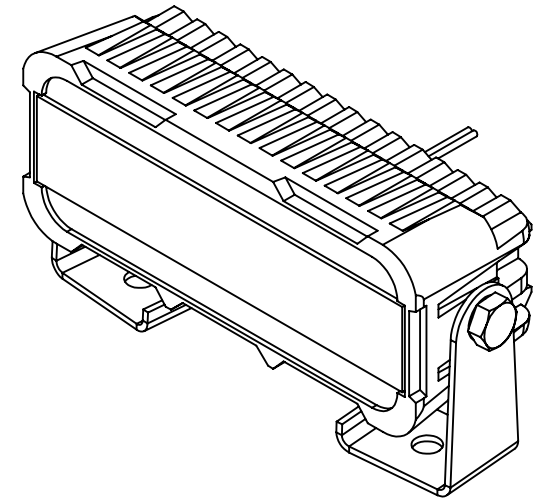
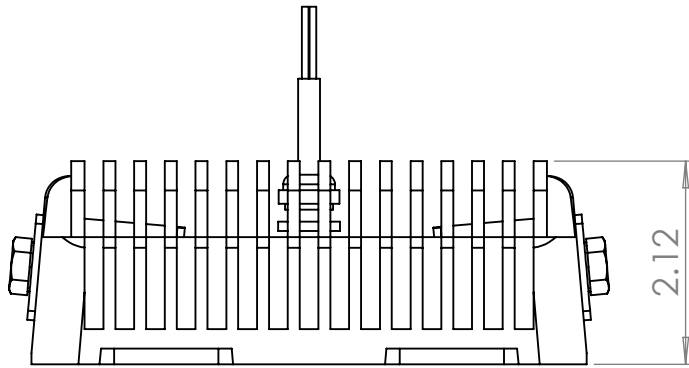


TITLE:

LEDWL-ZN-CRN

PROPRIETARY AND CONFIDENTIAL
 THE INFORMATION CONTAINED IN THIS DRAWING IS THE SOLE PROPERTY OF LARSON ELECTRONICS LLC. ANY REPRODUCTION IN PART OR AS A WHOLE WITHOUT THE WRITTEN PERMISSION OF LARSON ELECTRONICS LLC IS PROHIBITED.

		NAME			
	DRAWN	Luis Martinez	SIZE	DWG. NO.	REV
	CHECKED	N/A	A		00
	DATE	01/23/2018	SCALE: NTS		SHEET 1 OF 3
DIMENSIONS ARE IN INCHES	DO NOT SCALE DRAWING				



PROPRIETARY AND CONFIDENTIAL
 THE INFORMATION CONTAINED IN THIS DRAWING IS THE SOLE PROPERTY OF LARSON ELECTRONICS LLC. ANY REPRODUCTION IN PART OR AS A WHOLE WITHOUT THE WRITTEN PERMISSION OF LARSON ELECTRONICS LLC IS PROHIBITED.

TITLE:			
LEDWL-ZN-CRN			
DRAWN	Luis Martinez	SIZE	DWG. NO.
CHECKED	N/A	A	
DATE	01/23/2018	SCALE: NTS	REV 00
DO NOT SCALE DRAWING		SHEET 2 OF 3	

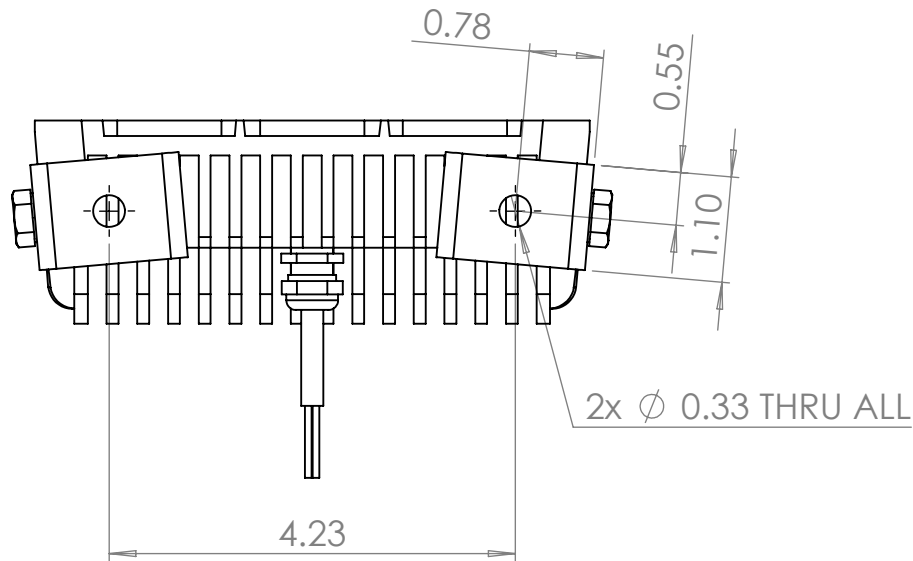
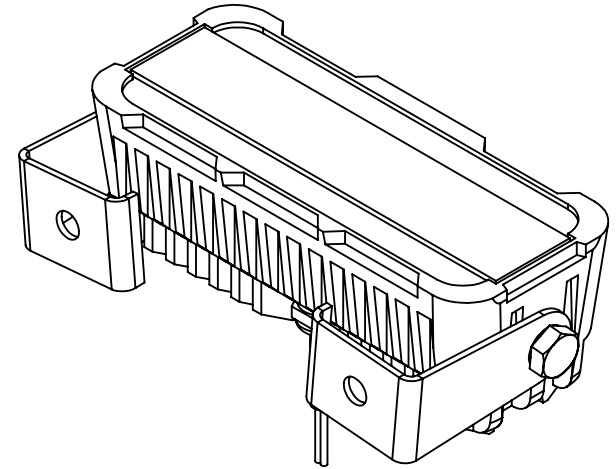
5

4

3

2

1



TITLE:

LEDWL-ZN-CRN

PROPRIETARY AND CONFIDENTIAL
 THE INFORMATION CONTAINED IN THIS DRAWING IS THE SOLE PROPERTY OF LARSON ELECTRONICS LLC. ANY REPRODUCTION IN PART OR AS A WHOLE WITHOUT THE WRITTEN PERMISSION OF LARSON ELECTRONICS LLC IS PROHIBITED.

		NAME			
	DRAWN	Luis Martinez	SIZE	DWG. NO.	REV
	CHECKED	N/A	A		00
	DATE	01/23/2018	SCALE: NTS		SHEET 3 OF 3
DIMENSIONS ARE IN INCHES					
DO NOT SCALE DRAWING					

5

4

3

2

1