

PROPRIETARY AND CONFIDENTIAL
 THE INFORMATION CONTAINED IN THIS DRAWING IS THE SOLE PROPERTY OF LARSON ELECTRONICS LLC. ANY REPRODUCTION IN PART OR AS A WHOLE WITHOUT THE WRITTEN PERMISSION OF LARSON ELECTRONICS LLC IS PROHIBITED.

TITLE: VMP-MAM-FSD-2017		
SIZE A	DWG. NO.	REV A
DO NOT SCALE DRAWING	DATE 3/29/2018	SCALE: NTS
		SHEET 1 OF 3

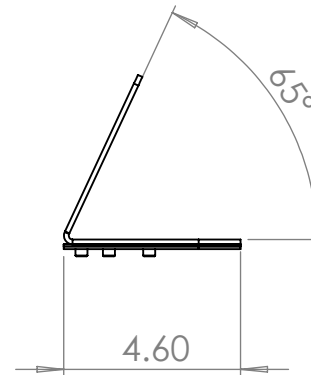
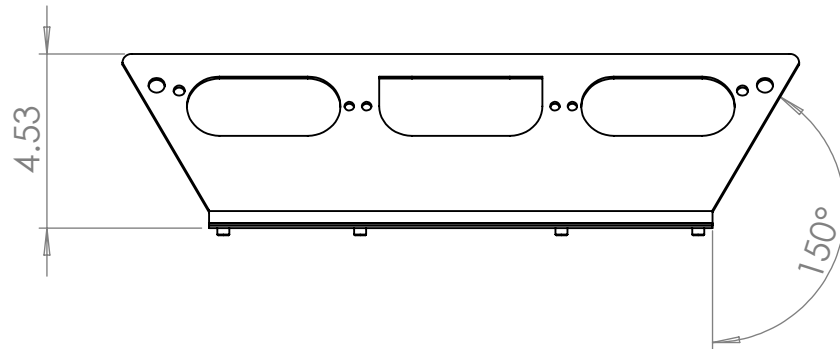
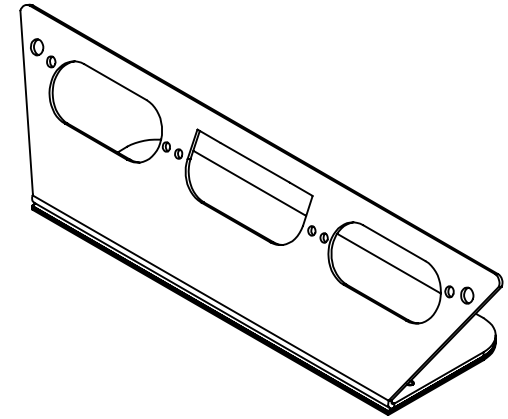
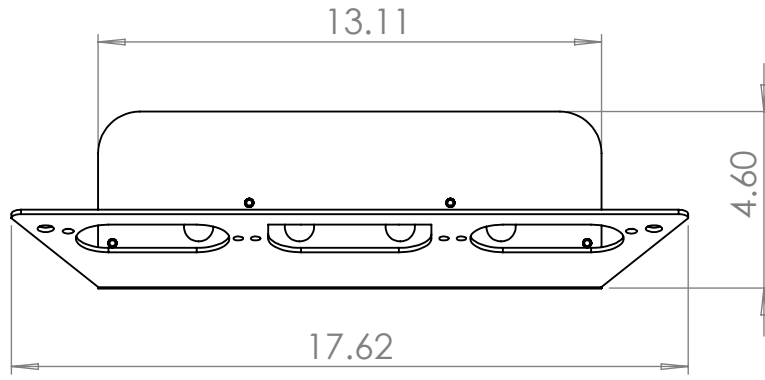
5

4

3

2

1



PROPRIETARY AND CONFIDENTIAL
 THE INFORMATION CONTAINED IN THIS DRAWING IS THE SOLE PROPERTY OF LARSON ELECTRONICS LLC. ANY REPRODUCTION IN PART OR AS A WHOLE WITHOUT THE WRITTEN PERMISSION OF LARSON ELECTRONICS LLC IS PROHIBITED.

TITLE:
VMP-MAM-FSD-2017

SIZE A	DWG. NO.	REV A
------------------	----------	-----------------

DIMENSIONS ARE IN INCHES				
DO NOT SCALE DRAWING	DATE	3/29/2018	SCALE: NTS	SHEET 2 OF 3

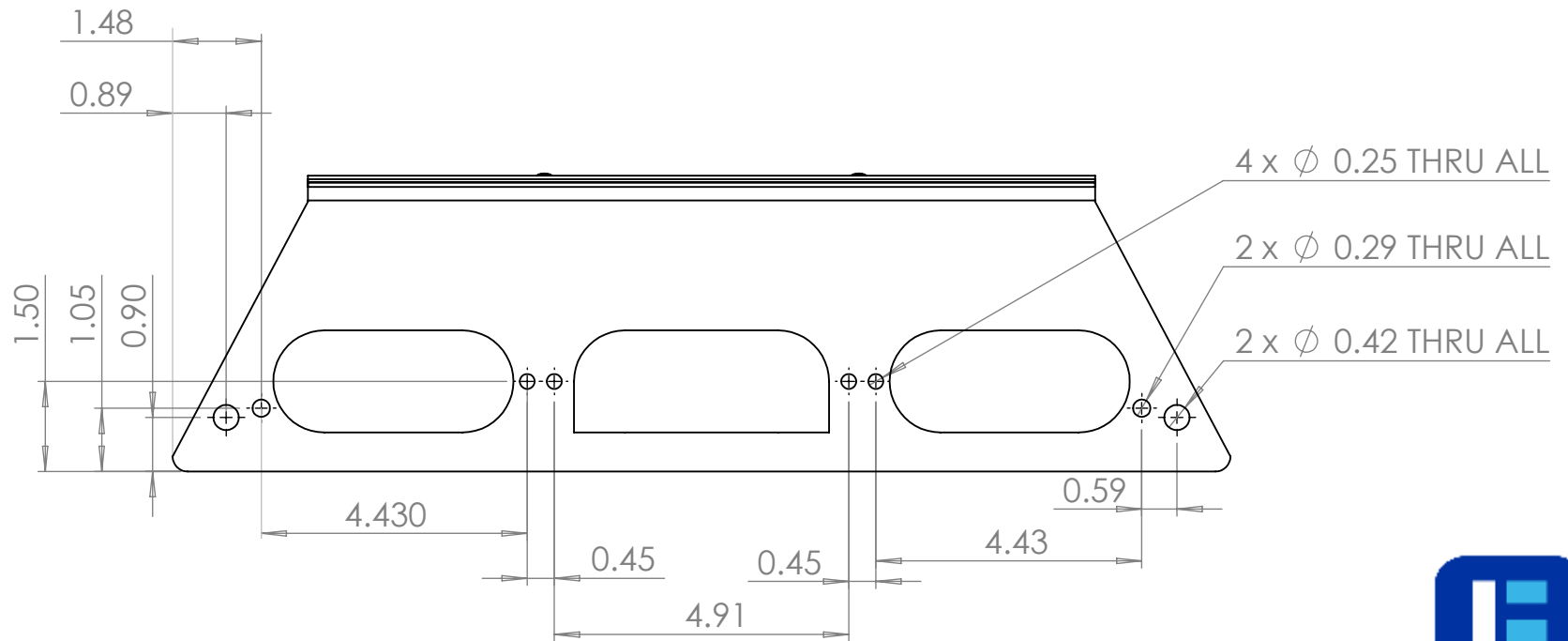
5

4

3

2

1



TITLE:
VMP-MAM-FSD-2017

PROPRIETARY AND CONFIDENTIAL
THE INFORMATION CONTAINED IN THIS DRAWING IS THE SOLE PROPERTY OF LARSON ELECTRONICS LLC. ANY REPRODUCTION IN PART OR AS A WHOLE WITHOUT THE WRITTEN PERMISSION OF LARSON ELECTRONICS LLC IS PROHIBITED.

DIMENSIONS ARE IN INCHES		DATE	3/29/2018	SCALE: NTS	SHEET 3 OF 3
DO NOT SCALE DRAWING	DATE	3/29/2018	SCALE: NTS	SHEET 3 OF 3	

SIZE A	DWG. NO.	REV A
------------------	----------	-----------------