

TITLE:		
PWM-30		
SIZE	DWG. NO.	REV
A		00
SCALE: NTS		SHEET 1 OF 2-

PROPRIETARY AND CONFIDENTIAL
THE INFORMATION CONTAINED IN THIS DRAWING IS THE SOLE PROPERTY OF LARSON ELECTRONICS LLC. ANY REPRODUCTION IN PART OR AS A WHOLE WITHOUT THE WRITTEN PERMISSION OF LARSON ELECTRONICS LLC IS PROHIBITED.

UNLESS OTHERWISE NOTED:
ANGLE: +/- .5
.X +/- .02
.XX +/- .01
.XXX +/- .005

DIMENSIONS ARE IN INCHES			NAME
Quantity	1	DRAWN	Luis Martinez
MATERIAL		CHECKED	N/A
DO NOT SCALE DRAWING		DATE	04/14/2017

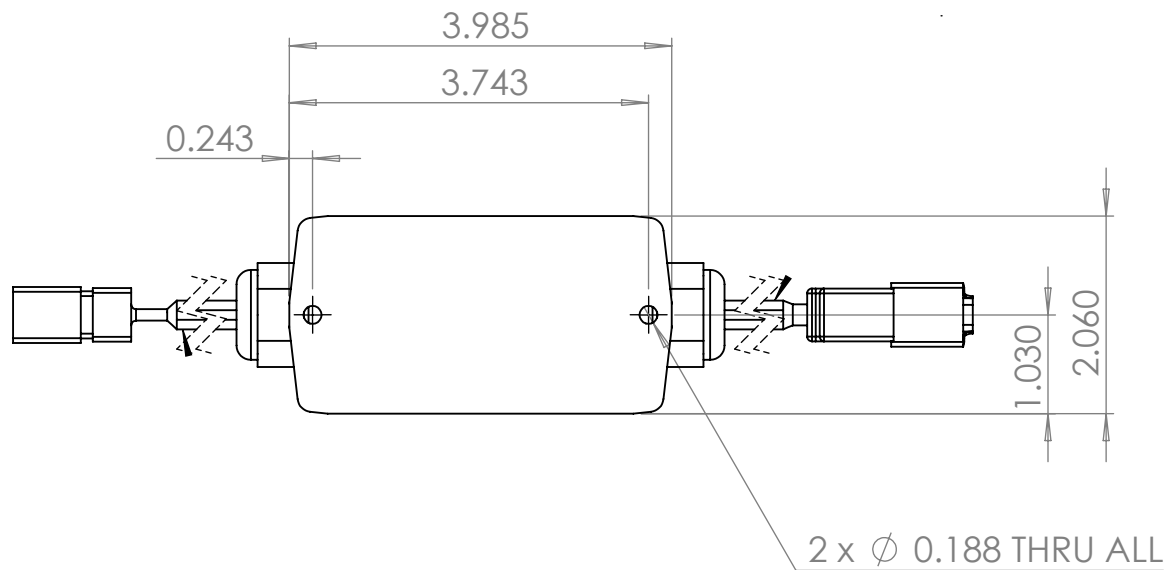
5

4

3

2

1



TITLE:			
PWM-30			
SIZE	DWG. NO.	REV	
A		00	
SCALE: NTS		SHEET 2 OF 2	

PROPRIETARY AND CONFIDENTIAL
THE INFORMATION CONTAINED IN THIS DRAWING IS THE SOLE PROPERTY OF LARSON ELECTRONICS LLC. ANY REPRODUCTION IN PART OR AS A WHOLE WITHOUT THE WRITTEN PERMISSION OF LARSON ELECTRONICS LLC IS PROHIBITED.

UNLESS OTHERWISE NOTED:
ANGLE: +/- .5
.X +/- .02
.XX +/- .01
.XXX +/- .005

DIMENSIONS ARE IN INCHES			NAME
Quantity	1	DRAWN	Luis Martinez
MATERIAL		CHECKED	N/A
DO NOT SCALE DRAWING		DATE	04/14/2017