

TITLE:  
**EPL-HB-150LED-118-V2**

**PROPRIETARY AND CONFIDENTIAL**  
 THE INFORMATION CONTAINED IN THIS DRAWING IS THE SOLE PROPERTY OF LARSON ELECTRONICS LLC. ANY REPRODUCTION IN PART OR AS A WHOLE WITHOUT THE WRITTEN PERMISSION OF LARSON ELECTRONICS LLC IS PROHIBITED.

UNLESS OTHERWISE NOTED:  
 ANGLE: +/- .5  
 .X +/- .02  
 .XX +/- .01  
 .XXX +/- .005

DIMENSIONS ARE IN INCHES			NAME	
Quantity	1		DRAWN	Luis Martinez
MATERIAL			CHECKED	N/A
DO NOT SCALE DRAWING			DATE	02/02/2017

SIZE	DWG. NO.	REV
<b>A</b>		<b>00</b>
SCALE: NTS		SHEET 1 OF 4

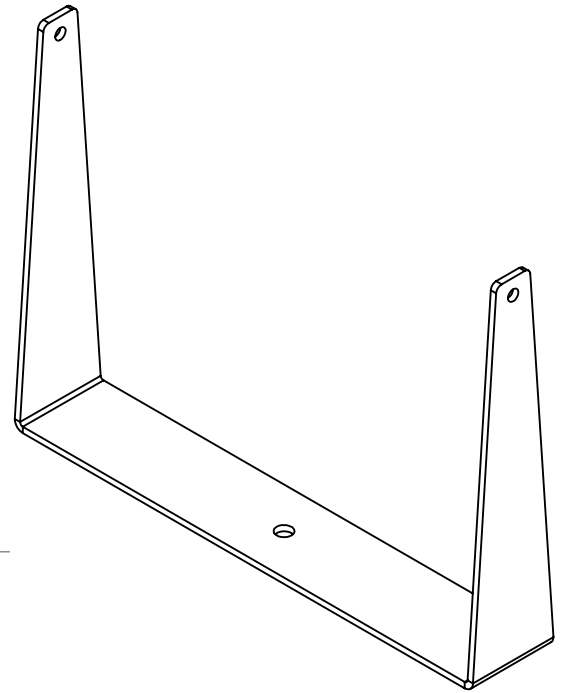
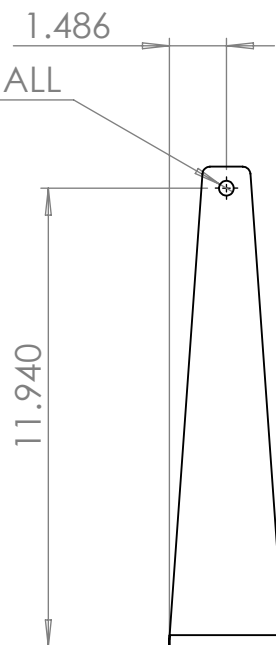
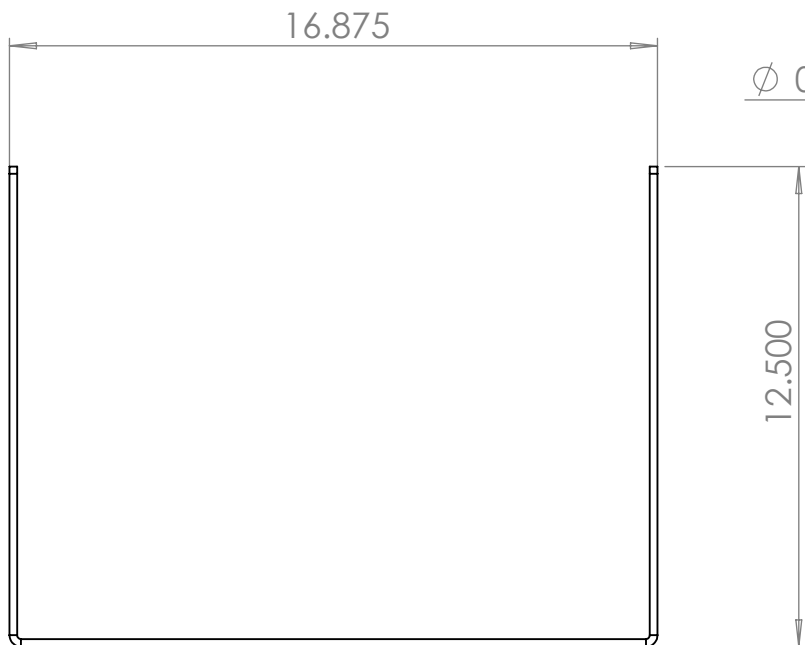
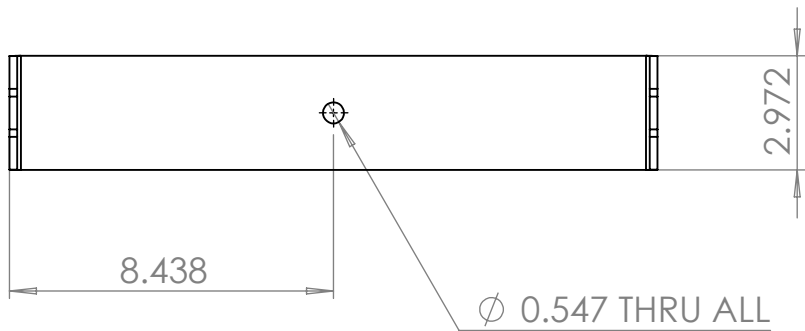
5

4

3

2

1



TITLE:  
**EPL-HB-150LED-118-V2**

**PROPRIETARY AND CONFIDENTIAL**  
 THE INFORMATION CONTAINED IN THIS DRAWING IS THE SOLE PROPERTY OF LARSON ELECTRONICS LLC. ANY REPRODUCTION IN PART OR AS A WHOLE WITHOUT THE WRITTEN PERMISSION OF LARSON ELECTRONICS LLC IS PROHIBITED.

UNLESS OTHERWISE NOTED:  
 ANGLE: +/- .5  
 .X +/- .02  
 .XX +/- .01  
 .XXX +/- .005

DIMENSIONS ARE IN INCHES			NAME	
Quantity	1		DRAWN	Luis Martinez
MATERIAL			CHECKED	N/A
DO NOT SCALE DRAWING			DATE	02/02/2017

SIZE	DWG. NO.	REV
<b>A</b>		<b>00</b>
SCALE: NTS		SHEET 2 OF 4

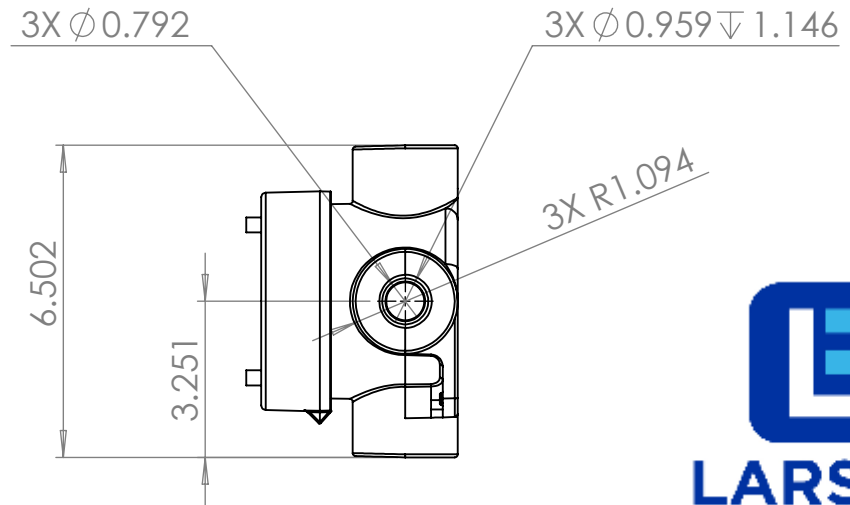
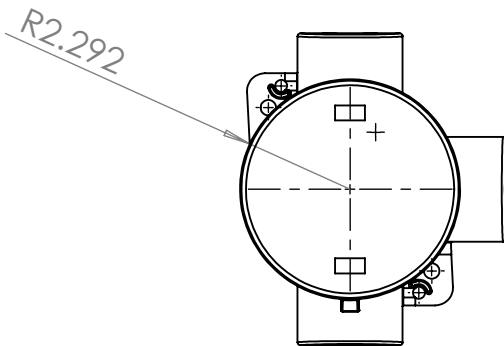
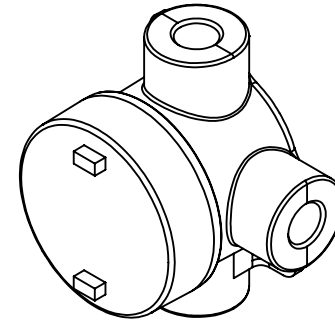
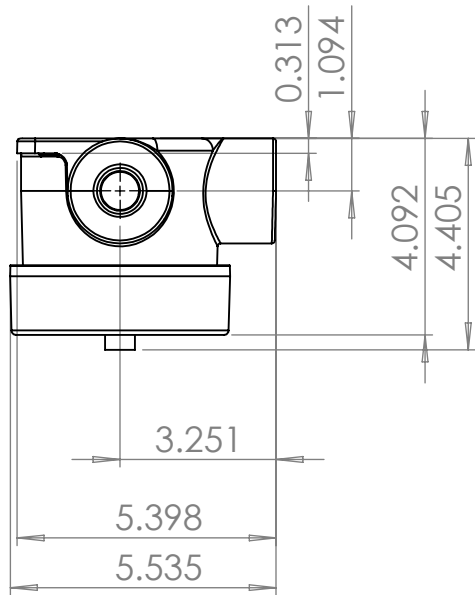
5

4

3

2

1



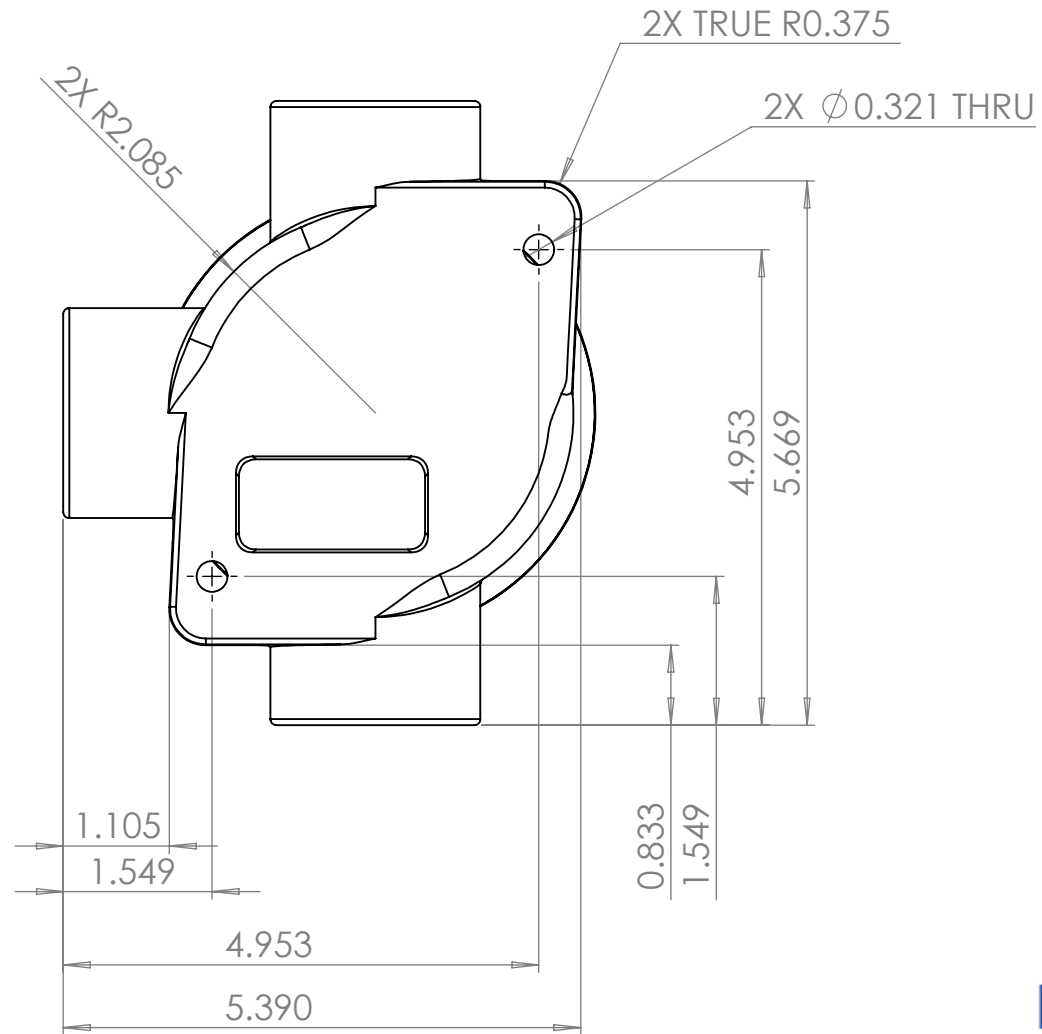
TITLE:  
**EPL-HB-150LED-118-V2**

**PROPRIETARY AND CONFIDENTIAL**  
 THE INFORMATION CONTAINED IN THIS DRAWING IS THE SOLE PROPERTY OF LARSON ELECTRONICS LLC. ANY REPRODUCTION IN PART OR AS A WHOLE WITHOUT THE WRITTEN PERMISSION OF LARSON ELECTRONICS LLC IS PROHIBITED.

UNLESS OTHERWISE NOTED:  
 ANGLE: +/- .5  
 .X +/- .02  
 .XX +/- .01  
 .XXX +/- .005

DIMENSIONS ARE IN INCHES			NAME	
Quantity	1		DRAWN	Luis Martinez
MATERIAL			CHECKED	N/A
DO NOT SCALE DRAWING			DATE	02/02/2017

SIZE	DWG. NO.	REV
<b>A</b>		<b>00</b>
SCALE: NTS		SHEET 3 OF 4



TITLE:  
**EPL-HB-150LED-118-V2**

**PROPRIETARY AND CONFIDENTIAL**  
THE INFORMATION CONTAINED IN THIS DRAWING IS THE SOLE PROPERTY OF LARSON ELECTRONICS LLC. ANY REPRODUCTION IN PART OR AS A WHOLE WITHOUT THE WRITTEN PERMISSION OF LARSON ELECTRONICS LLC IS PROHIBITED.

UNLESS OTHERWISE NOTED:  
ANGLE: +/- .5  
.X +/- .02  
.XX +/- .01  
.XXX +/- .005

DIMENSIONS ARE IN INCHES			NAME	
Quantity	1		DRAWN	Luis Martinez
MATERIAL			CHECKED	N/A
DO NOT SCALE DRAWING			DATE	02/02/2017

SIZE	DWG. NO.	REV
<b>A</b>		<b>00</b>
SCALE: NTS		SHEET 4 OF 4