

TITLE:

HL-85-LED-CPR

PROPRIETARY AND CONFIDENTIAL
 THE INFORMATION CONTAINED IN THIS DRAWING IS THE SOLE PROPERTY OF LARSON ELECTRONICS LLC. ANY REPRODUCTION IN PART OR AS A WHOLE WITHOUT THE WRITTEN PERMISSION OF LARSON ELECTRONICS LLC IS PROHIBITED.

		NAME			
	DRAWN	Luis Martinez	SIZE	DWG. NO.	REV
	CHECKED	N/A	A		00
DIMENSIONS ARE IN INCHES	DATE	11/27/2017	SCALE: NTS		SHEET 1 OF 3
DO NOT SCALE DRAWING					

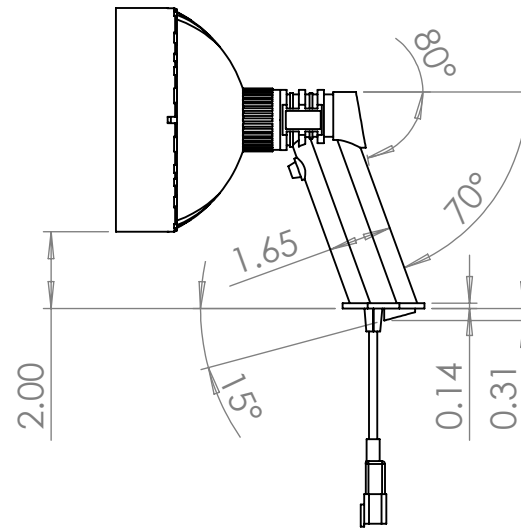
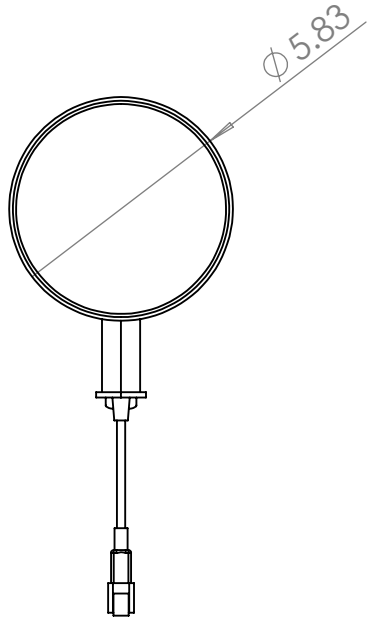
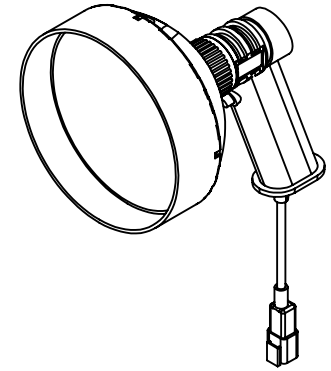
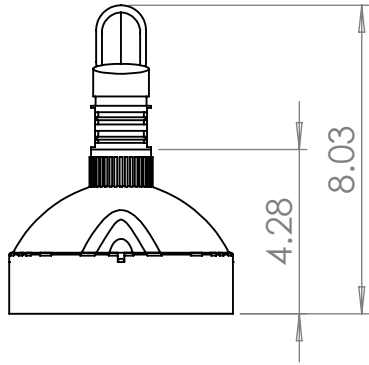
5

4

3

2

1

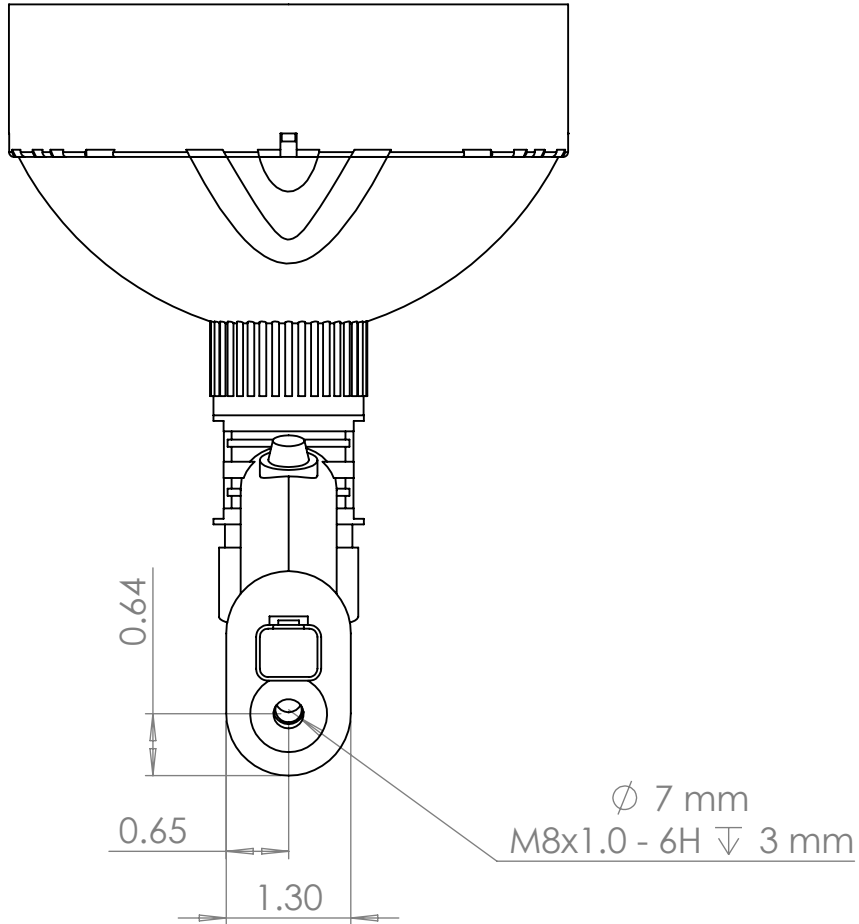


PROPRIETARY AND CONFIDENTIAL
 THE INFORMATION CONTAINED IN THIS DRAWING IS THE SOLE PROPERTY OF LARSON ELECTRONICS LLC. ANY REPRODUCTION IN PART OR AS A WHOLE WITHOUT THE WRITTEN PERMISSION OF LARSON ELECTRONICS LLC IS PROHIBITED.

TITLE:

HL-85-LED-CPR

		NAME			
	DRAWN	Luis Martinez	SIZE	DWG. NO.	REV
	CHECKED	N/A	A		00
	DATE	11/27/2017	SCALE: NTS		SHEET 2 OF 3
DIMENSIONS ARE IN INCHES					
DO NOT SCALE DRAWING					



TITLE:

HL-85-LED-CPR

PROPRIETARY AND CONFIDENTIAL
 THE INFORMATION CONTAINED IN THIS DRAWING IS THE SOLE PROPERTY OF LARSON ELECTRONICS LLC. ANY REPRODUCTION IN PART OR AS A WHOLE WITHOUT THE WRITTEN PERMISSION OF LARSON ELECTRONICS LLC IS PROHIBITED.

		NAME			
	DRAWN	Luis Martinez	SIZE	DWG. NO.	REV
	CHECKED	N/A	A		00
	DATE	11/27/2017	SCALE: NTS		SHEET 3 OF 3
DIMENSIONS ARE IN INCHES	DO NOT SCALE DRAWING				