

PROPRIETARY AND CONFIDENTIAL
 THE INFORMATION CONTAINED IN THIS DRAWING IS THE SOLE PROPERTY OF LARSON ELECTRONICS LLC. ANY REPRODUCTION IN PART OR AS A WHOLE WITHOUT THE WRITTEN PERMISSION OF LARSON ELECTRONICS LLC IS PROHIBITED.

| | | | | |
|------------------------------|--|-------------|--------------------|--------------|
| TITLE: | | | | |
| EPL-16C-150LED-RT-3EX | | | | |
| NAME | | SIZE | DWG. NO. | REV |
| CHRIS THAUER | | A | | |
| MATERIAL | | CHECKED | JEREMY BLANKENSHIP | |
| DO NOT SCALE DRAWING | | SCALE: 1:10 | | SHEET 1 OF 3 |

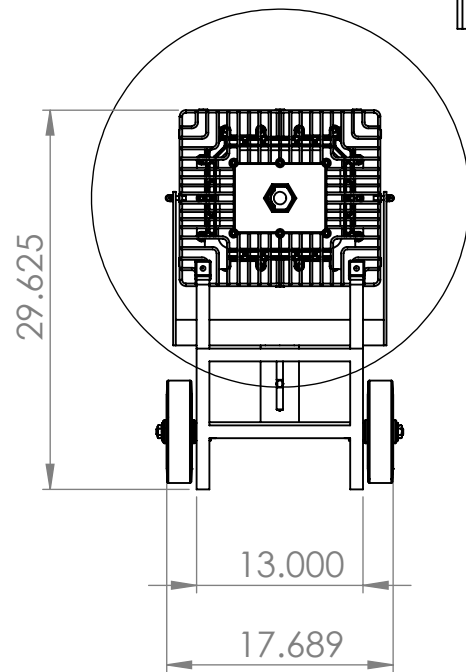
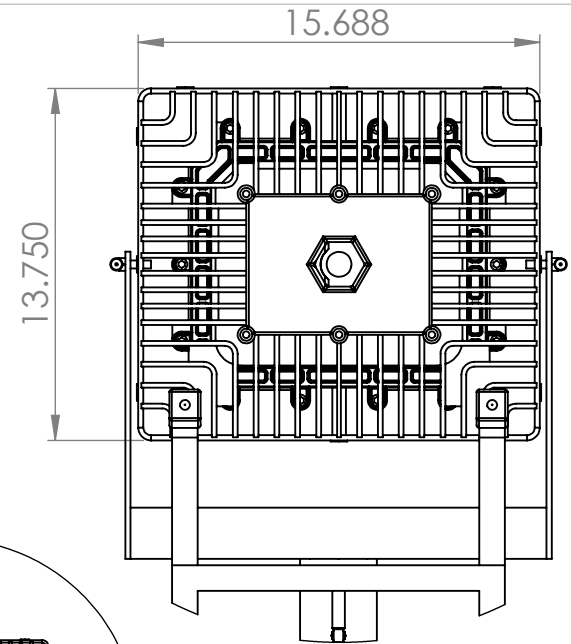
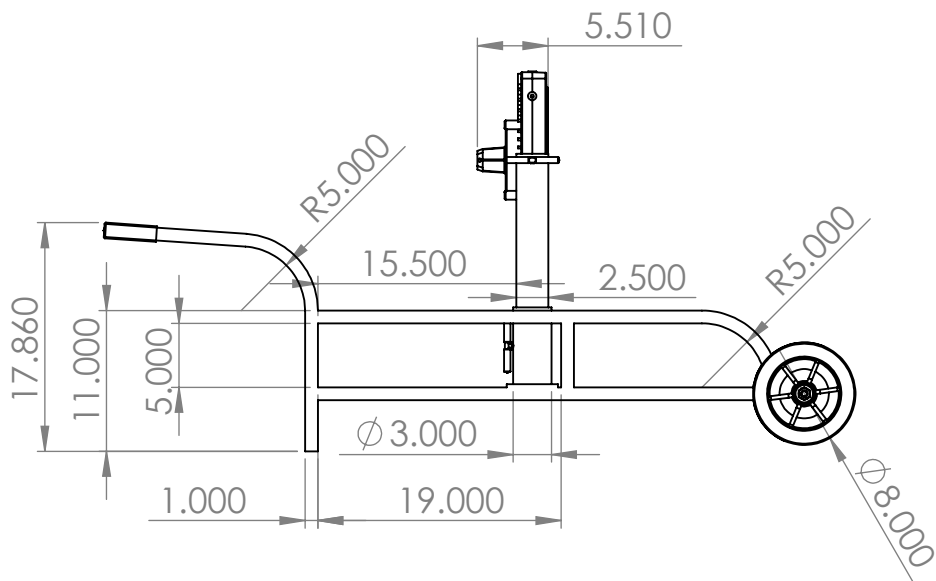
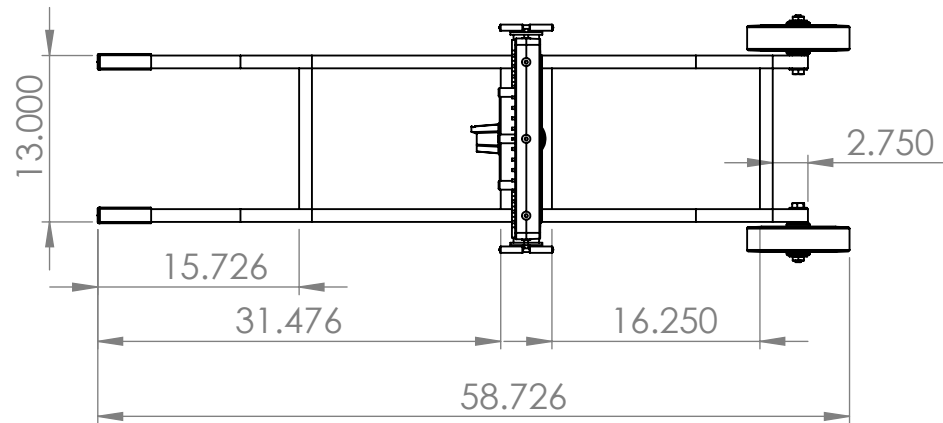
5

4

3

2

1



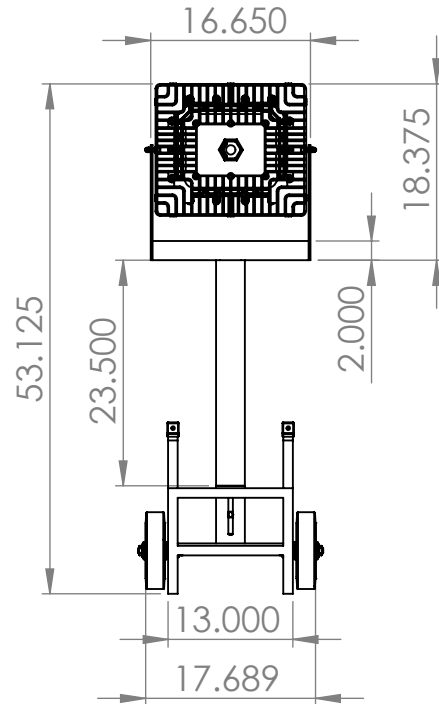
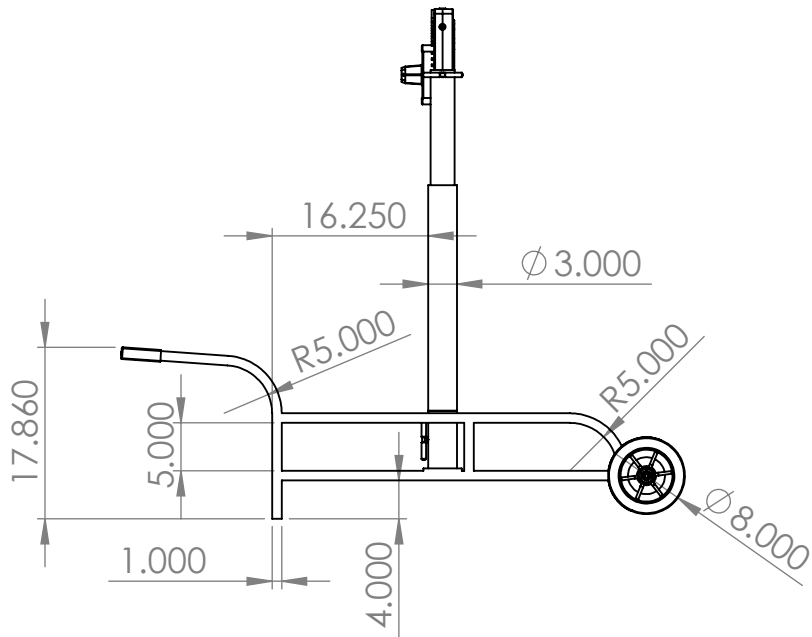
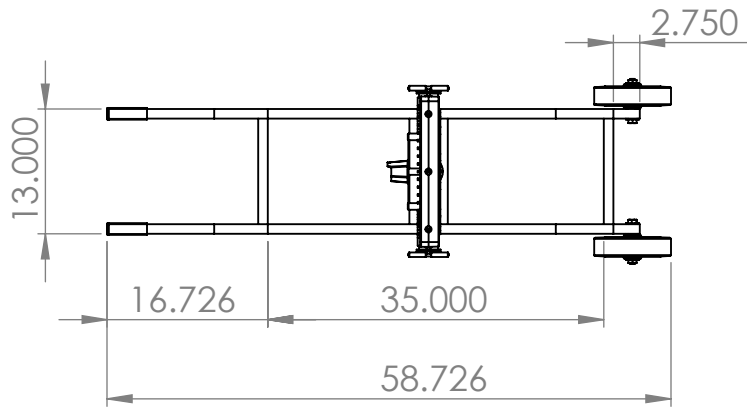
A
DETAIL A
SCALE 2 : 15



PROPRIETARY AND CONFIDENTIAL
 THE INFORMATION CONTAINED IN THIS DRAWING IS THE SOLE PROPERTY OF LARSON ELECTRONICS LLC. ANY REPRODUCTION IN PART OR AS A WHOLE WITHOUT THE WRITTEN PERMISSION OF LARSON ELECTRONICS LLC IS PROHIBITED.

| | | | |
|--------------------------|--|---------|--------------------|
| DIMENSIONS ARE IN INCHES | | DRAWN | CHRIS THAUER |
| MATERIAL | | CHECKED | JEREMY BLANKENSHIP |
| DO NOT SCALE DRAWING | | | |

| | | |
|--|-------------|--------------|
| TITLE: | | |
| EPL-16C-150LED-RT-3EX WITHOUT EXTENSION | | |
| NAME | SIZE | DWG. NO. |
| CHRIS THAUER | A | |
| | SCALE: 1:15 | SHEET 2 OF 3 |



PROPRIETARY AND CONFIDENTIAL
 THE INFORMATION CONTAINED IN THIS DRAWING IS THE SOLE PROPERTY OF LARSON ELECTRONICS LLC. ANY REPRODUCTION IN PART OR AS A WHOLE WITHOUT THE WRITTEN PERMISSION OF LARSON ELECTRONICS LLC IS PROHIBITED.

| | | | | | |
|--------------------------|--|---------|--------------------|-------------|--------------|
| DIMENSIONS ARE IN INCHES | | DRAWN | CHRIS THAUER | NAME | |
| MATERIAL | | CHECKED | JEREMY BLANKENSHIP | SIZE | DWG. NO. |
| DO NOT SCALE DRAWING | | | | A | |
| | | | | SCALE: 1:20 | SHEET 3 OF 3 |

TITLE:
**EPL-16C-150LED-RT-3EX
 WITH EXTENSION**