

EPL-48-2L-LED-45D-SFC

- U.L. Listed - United States & Canada
- Class 1, Division 1, Groups C and D
- Class 1, Division 2, Groups A, B, C & D
- Class 2, Divisions 1 & 2, Groups E, F, & G
- UL 844
- UL 1598A Wet Location
- cUL Listed for Canada
- UL listed for Paint Spray Booths
- Meets USCG Specs
- T6 Temperature Rating
- Wall/Ceiling/Flat Surface Bracket Mounting System

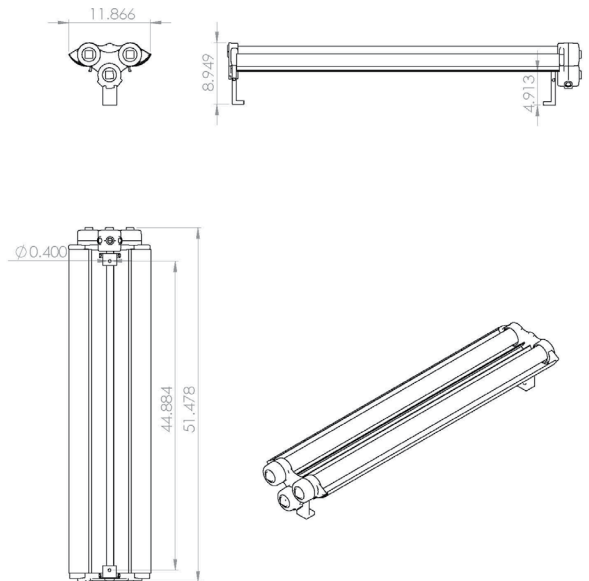
Adjustable Surface Mount Brackets

Each bracket is cinched to the bracket mounting peg on each side of the light. The angle of the bracket is set by tightening two cap screws on either side of the bracket. The cap screws act as a set screw. The bracket itself is mounted via a single bolt hole at the top the bracket. There are two brackets, one on each end of the light. Once the brackets are mounted to a surface (ceiling, floor or wall), the light fixture can be removed from the brackets by loosening the cap screws that hold the bracket to the mounting peg.



Specifications / Technical Information

Materials	Copper Free Aluminum Housing Heavy Gauge Aluminum Reflectors Tempered Borosilicate Lens
Mounting	Adjustable L-Shape Surface Mount Brackets
Dimensions	L-51.48" x W-11.87" x H-8.95"
Wiring Hub	1/2 inch threaded NPT
Voltage	Universal 120-277 Volts AC 50/60 Hz 120V-60Hz, 220V-50Hz, 240V-60Hz, 277V-60Hz
Weight	42.9 Lbs
Wattage	56 watts
Lumens	7,000 Lumens
Color Temp	5,600K, 4,500K, or 3,000K
Avg Lamp Life	50,000+ Hours
Ambient Temp	-40C to +65C
Temp Rating	T6 Rated



EPL-48-2L-LED-45D-PND

- U.L. Listed - United States & Canada
- Class 1, Division 1, Groups C and D
- Class 1, Division 2, Groups A, B, C & D
- Class 2, Divisions 1 & 2, Groups E, F, & G
- UL 844
- UL 1598A Wet Location
- cUL Listed for Canada
- UL listed for Paint Spray Booths
- Meets USCG Specs
- T6 Temperature Rating
- Suspended Pendant Mounting System



Suspension Mounting

Pendant mount fixtures hang from the ceiling and are suspended by rigid pipe. Each fixture features a 1/2" NPT junction box on one end, and a 1/2" NPT adjustable L-bracket on the other end of the fixture. Operators bring rigid pipe down to the threaded mounting hubs. Wiring is fed down through the rigid pipe to the junction box and tied in to the fixture's lead wires, completing the electrical connection. The adjustable L-shape mounting bracket provides support for the opposite end of the fixture.

Specifications / Technical Information

Materials	Copper Free Aluminum Housing Heavy Gauge Aluminum Reflectors Tempered Borosilicate Lens
Mounting	Suspension/Hanging Pendant Mounts
Dimensions	L-51.48" x W-11.87" x H-6.82"
Wiring Hub	1/2 inch threaded NPT
Voltage	Universal 120-277 Volts AC 50/60 Hz 120V-60Hz, 220V-50Hz, 240V-60Hz, 277V-60Hz
Weight	41.4 Lbs
Wattage	56 watts
Lumens	7,000 Lumens
Color Temp	5,600K, 4,500K, or 3,000K
Avg Lamp Life	50,000+ Hours
Ambient Temp	-40C to +65C
Temp Rating	T6 Rated

